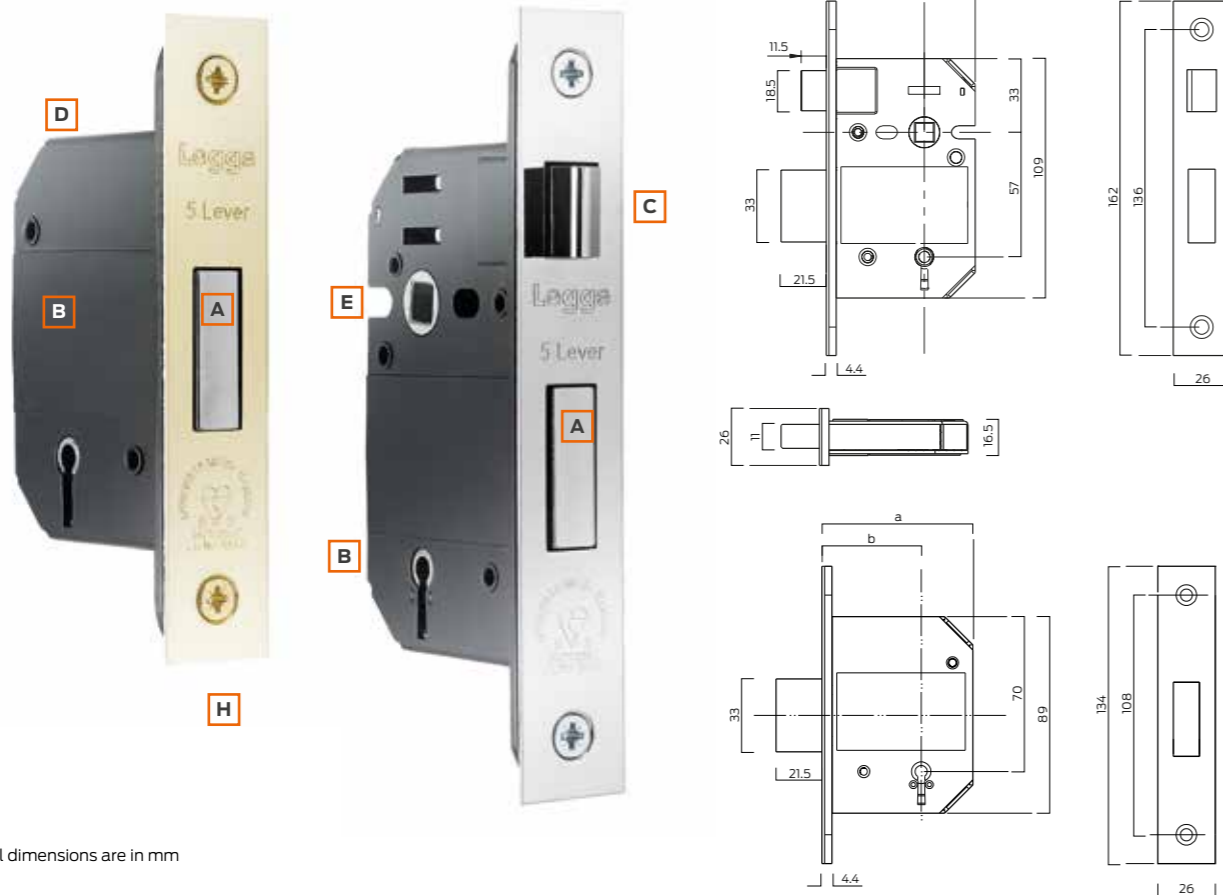




Legge Residential Lockcases

BS 5 Lever - Kitemarked Mortice Lockcases (Level 2)



all dimensions are in mm

The Legge BS 5 lever lockcases offer exceptional levels of attack resistance making them an ideal choice for domestic and commercial applications.

Performance Level 2

Features & Benefits

- A Hardened steel anti-saw deadbolt with 20mm throw operates after 10kN side load
- B Anti-pick and anti-drill protection
- C 'Pull and Twist' reversible latchbolt
- D Steel case, black powder coated finish
- F Accepts bolt through lever furniture fixings at 38mm centres
- G 3 plated steel keys
- H Available with square forend and matching security box strike



5 Lever Deadlock - N5641 / N5761

- For use on doors without lever furniture
- 20mm throw deadbolt
- Available with SS or PB forend and strike



5 Lever Sashlock - N5642 / N5762

- For lockable doors with lever handles to retract latch
- 20mm throw deadbolt
- Available with SS or PB forend and strike.



Product Ref:	Function/description	Case size (a)	Backset (b)	CE Classification
N5641	5 lever deadlock	68mm	45mm	2M810F7KD0B
N5642	5 lever sashlock	68mm	45mm	2M810F7KD2B
N5761	5 lever deadlock	81mm	58mm	2M810F7KD0B
N5762	5 lever sashlock	81mm	58mm	2M810F7KD2B
N41	Rebate conversion kit (13mm) for N5641 and N5761 deadlocks			
N42	Rebate conversion kit (13mm) for N5642 and N5762 sashlocks			
Note: rebate kits retain the use of the security box strike				

Options

Available with plated finishes SS or PB forend and matching strike plate.
Rebate conversion kits for 13mm rebate.

Finishes

Plated finishes to match polished stainless steel and polished brass.

Testing & Certification

CE marked to EN12209 - Grade 7
Fully compliant with BS3621:2007 and Kitemarked
Fire tested to EN1634 on timber and composite doors to achieve a 1 hour fire rating, and 4 hour for steel doors.
Full Declaration of Performance available from our website at:

www.doorhardware-online.co.uk



Legge - Non Platform Mortice Lockcases (Level 1)



2 Lever Sashlock - B159 & B2378
2 lever sashlock with 44mm or 57mm backset

Features & Benefits

- Offering basic 2 lever security (2 brass levers) or bathroom function lockcase
- Lever lock has 24 differs
- 8mm high strength Zytel follower
- Reversible latch for on-site handing
- Brass deadbolt
- Suitable for bolt through furniture fixing at 38mm centres
- 2 die cast keys (lever lock only)

Options

Each lockcase is available in 2 case/backset sizes.
Rebate conversion kit available for bathroom lock.

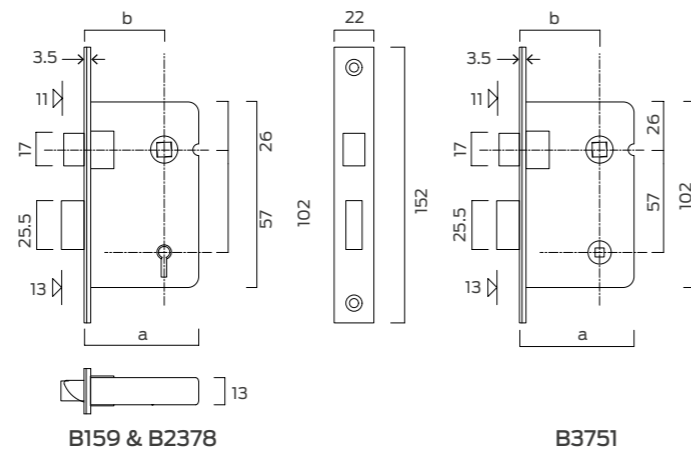
Finishes

Available with nickel plated or polished brass forend and matching strike plate.



Bathroom Lock - B3751/2.5 & B3751/3.0
Mortice bathroom lock with 44mm or 57mm backset

Product Ref:	Function/description	Case size (a)	Backset (b)	Finish
B159	2 lever sashlock	64mm	44mm	NP; PB
B2378	2 lever sashlock	76mm	57mm	NP; PB
B3751/2.5	Bathroom lock	64mm	44mm	NP; PB
B3751/3.0	Bathroom lock	76mm	57mm	NP; PB
N42/0.5	Rebate conversion kit (12.5mm) for 3751 bathroom locks			SS; PB



Legge - Mortice Latch & Deadbolt



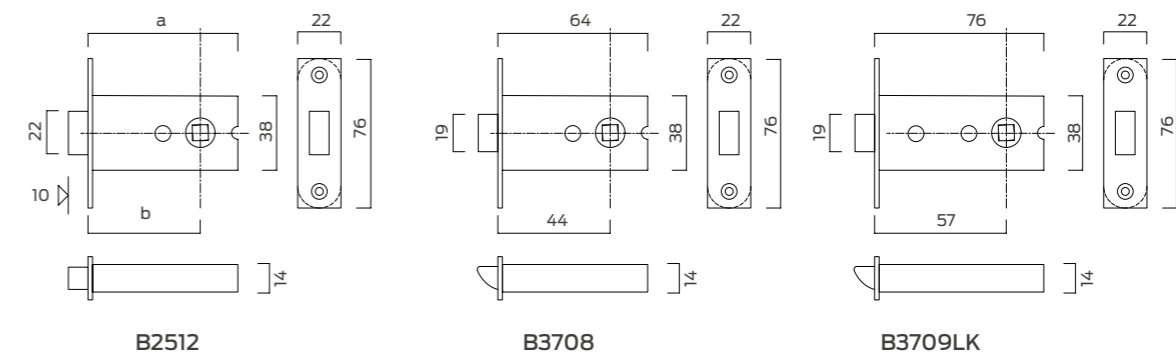
- Bathroom Deadbolt - B2515MM/ & B25128MM/**
- Mortice bathroom deadbolt with thumbturn operation
 - Brass deadbolt with thumbturn operation
 - Accepts bolt through fixings at 38mm centres
 - Available with 5mm or 8mm follower
 - Round or square forend and strike



- Latch - B3708 & B3709LK**
- Mortice latches for lever or knob furniture
 - Meets the requirements of EN 12209 (B3708)
 - CE marked (B3708)
 - Accepts bolt through fixings at 38mm centres
 - 8mm high strength follower



Product Ref:	Function/description	Case size (a)	Backset (b)	Finish	CE Classification
B2515MM/	Bathroom deadbolt - 5mm thumbturn follower	64mm	44mm	NP; PB	N/A
B25128MM/	Bathroom deadbolt - 8mm thumbturn follower	76mm	57mm	NP; PB	N/A
B3708	Mortice latch - CE marked -	64mm	44mm	NP; PB	NPD H810F-B010
B3709LK	Mortice latch	76mm	57mm	NP; PB	N/A





Legge - Latches



Tubular Latch - B3721, B3722 & B3724LK

- Mortice tubular latches
- Meets the requirements of EN 12209 (see table)
- CE marked (see table)
- 8mm high strength follower
- Available in electroplated brass or nickel plated finishes
- Lifetime guarantee

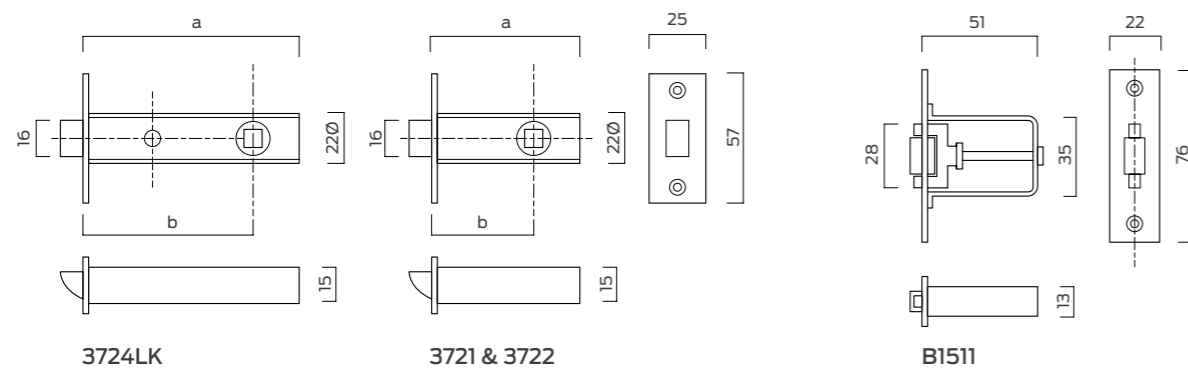


Roller Latch - B1511

- Mortice roller latch
- Brass roller latch
- Adjustable springing to provide a positive push/pull operation
- Available in polished brass or nickel plated finishes



Product Ref:	Function/description	Case size (a)	Backset (b)	Finishes	CE Classification
B3721	Tubular latch - CE marked	64mm	44mm	EB; NP; PB	NPD H810F-B010
B3722	Tubular latch - CE marked	76mm	57mm	EB; NP; PB	NPD H810F-B010
B3724LK	Tubular latch - lockable	95mm	76mm	EB; NP	N/A
B1511	Roller latch	51mm	N/A	PB; SS	N/A



all dimensions are in mm

Legge - Rebate Sets

Product Ref:	Rebate size	Application	Finish
B21NP	12.5mm	Rebate set for use with Legge 3721/3722/3724LK	NP
B21PB	12.5mm	Rebate set for use with Legge 3721/3722/3724LK	PB
B41PB/0.5	12.5mm	Rebate set for use with Legge Deadlocks	PB
B41PB/1.0	25mm	Rebate set for use with Legge Deadlocks	PB
B41SCP/0.5	12.5mm	Rebate set for use with Legge Deadlocks	SCP
B41SCP/1.0	25mm	Rebate set for use with Legge Deadlocks	SCP
B42PB/0.5	12.5mm	Rebate set for use with Legge Sashlocks	PB
B42PB/1.0	25mm	Rebate set for use with Legge Sashlocks	PB
B41SCP/0.5	12.5mm	Rebate set for use with Legge Sashlocks	SCP
B41SCP/1.0	25mm	Rebate set for use with Legge Sashlocks	SCP

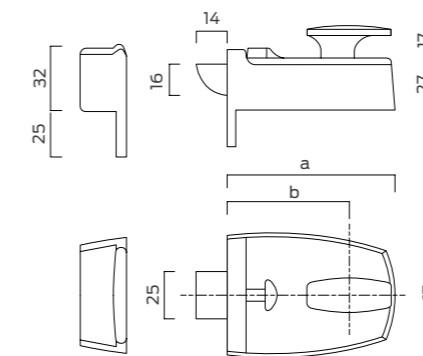
Legge - Rim Nightlatch (Level 1)



Rim Nightlatch - 707 & 727

- Rim nightlatches suitable for most retrofit applications
- Brass latchbolt
- Clockwise or anti-clockwise knob operation to withdraw latch
- Latch and knob are rendered inoperative by the deadlocking function
- Supplied with 5 pin rim cylinder with 3 keys
- Available in a polished brass finish (PB/BP) and powder coated silver (PB/SV)
Please note, in each case the cylinder is supplied in polished brass finish

Product Ref:	Function/description	Case size (a)	Backset (b)	Finishes
707	Rim nightlatch with deadlocking function	68mm	45mm	PB/BP; PB/SV
727	5 lever sashlock	68mm	45mm	PB/BP; PB/SV



707 & 727

all dimensions are in mm



Legge - Rim Locks (Level 1)

A series of rim locks and latches which are surface mounted, typically onto period doors, sheds or garages. Locks and latches should be used in conjunction with the knob furniture which must be selected separately.



Knob Furniture

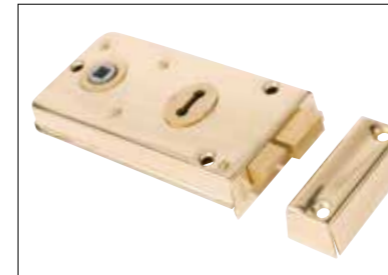
- Knob furniture for use with Briton rim locks and latches
- Supplied with 2 covered escutcheons
- Sold as pairs c/w 8mm spindle



Knob Furniture - B472

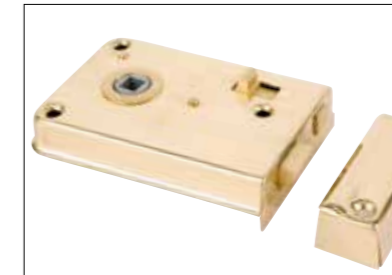
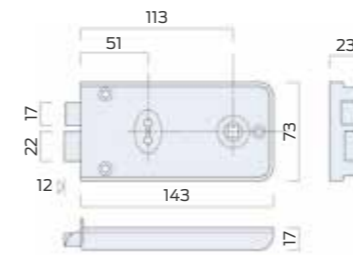
- Suitable for rim lock and rim latch
- Rose 51mm diameter
- Supplied with threaded spindle for secure fixing
- Polished brass

Legge - Rim Locks (Level 1)



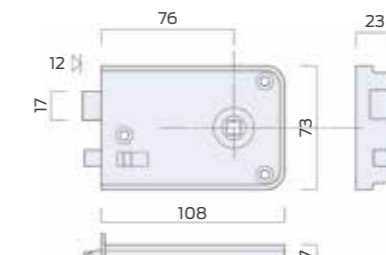
Rim Lock - 2136

- Rim lock - surface mount
- Brass latch & deadbolt
- Deadbolt by key - 12 differs
- Suitable for knob furniture with 8mm spindle



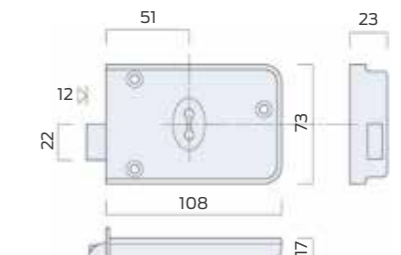
Rim Latch - 2143

- Rim latch - surface mount
- Brass latch & deadbolt
- Deadbolt thrown by snib
- Suitable for knob furniture with 8mm spindle



Rim Deadlock - 2144

- Rim deadlock - surface mount
- Brass deadbolt
- Deadbolt by key - 12 differs
- Powder coated finish



Product Ref:	Function/description	Case size	Backset	Finishes
2136	Rim mounted lock with 8mm follower	143mm	45mm	PB; SV
2143	Rim mounted latch with deadbolt thrown by snib - 8mm follower	108mm	45mm	PB; SV
2144	Rim mounted deadlock with key operation only	108mm	58mm	PB; SV
B472/2.0	Knob furniture - 51mm Victorian domed	N/A	N/A	PB
B472/2.25	Knob furniture - 57mm Victorian domed	N/A	N/A	PB