



5400 Series – Euro Profile Mortice Lockcases (Level 4)



Deadlock - 5410.R & 5410.S

- Euro profile cylinder deadlock.
- For use on doors without lever furniture.
- 22mm deadbolt is thrown with a double turn of the cylinder*.



Sashlock - 5420.R & 5420.S

- Euro profile cylinder sashlock.
- For lockable doors with lever handles to retract latch.
- 22mm double throw deadbolt*.
- Cylinder to latch function will retract the deadbolt and latch.



Bathroom Lock - 5430.R & 5430.S

- Bathroom sashlock.
- For use on bathroom doors and those requiring a privacy function.
- Latch retracted by lever handles
- 10mm throw deadbolt thrown by thumbturn & emergency release (8mm turn follower).



* Deadbolt can be withdrawn from one side or both sides depending on the type of cylinder selected.

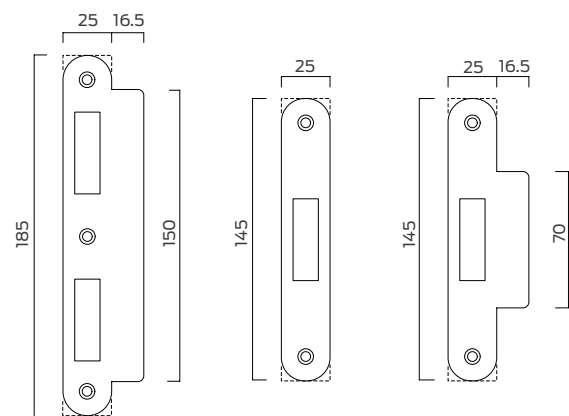


Latch - 5440.R & 5440.S

- Mortice latch.
- Suitable for doors which do not require locking function.
- Lever operation of latchbolt only.



Strike plates supplied as standard
(Supplied with black plastic back box)

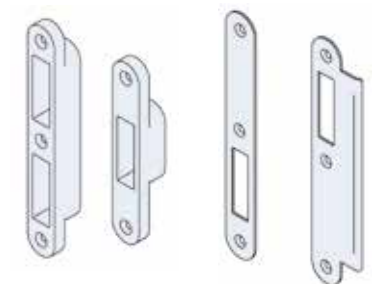


5420 & 5430 5410 5440

all dimensions are in mm

Product Ref:	Function/description	CE Classification
5410	Euro profile cylinder deadlock	3M810F2BC00
5420	Euro profile cylinder sashlock	3M810F2BC20
5430	Bathroom lock - 8mm bathroom turn follower	3M810F-B020
5540	Latch	3M810F-B020
Add suffix .R or .S to product code for Radiused or Square forend and strike plate		
5500IP	Intumescent pack for use with all 5400 Series lockcases	
5400.013	Standard round strike plate for 5410 deadlock	
5400.014	Standard square strike plate for 5410 dealock	
5400.009	Standard round strike plate for 5420 sashlock and 5430 bathroom lock	
5400.010	Standard square strike plate for 5420 sashlock and 5430 bathroom lock	
5400.011	Standard round strike plate for 5440 latch	
5400.012	Standard square strike plate for 5440 latch	

A wide range of accessories to suit 5600, 5500 and 5400 Series lockcases



Accessories

A full range of accessories, including box strikes, and full length strike plates is available to replace the standard strike supplied with the lockcase on 5600, 5500 and 5400 Series lockcases.

Product Ref:	Accessory	To Suit Lockcases	Finishes
5000.001	Heavy duty box strike for latch & bolt	5660; 5520; 5530; 5560; 5420; 5430	Black
5000.002	Heavy duty box strike for latch only	5650; 5540; 5550; 5440; 5555	Black
5000.009	Standard radius strike for sashlocks	5520; 5420	SS; PS; PB
5000.010	Standard square strike for sashlocks	5520; 5420	SS; PS; PB
5000.011	Standard radius strike for latches	5540; 5440	SS; PS; PB
5000.012	Standard square strike for latches	5540; 5440	SS; PS; PB
5000.013	Standard radius strike for deadlocks	5510; 5410	SS; PS; PB
5000.014	Standard square strike for deadlocks	5510; 5410	SS; PS; PB
5000.015	Full radius strike for deadlocks	5510; 5410; 5535	SS
5000.016	Full square strike for deadlocks	5510; 5410; 5535	SS
5000.017	Full radius strike for latches - RH	5650; 5540; 5550; 5440	SS
5000.018	Full square strike for latches - RH	5650; 5540; 5550; 5440	SS
5000.019	Full radius strike for latches - LH	5650; 5540; 5550; 5440	SS
5000.020	Full square strike for latches -LH	5650; 5540; 5550; 5440	SS
5000.021	Heavy duty box strike for bolt only	5510; 5410; 5535	Black
5000.022	Heavy duty box strike for sashlocks	5660; 5520; 5560; 5420	Black
5000.023	Heavy duty box strike for deadlocks	5510; 5410; 5535	Black
5000.003	Rebate kit (13mm) for square forend variants	5600 Series, 5500 Series, 5400 Series	SS
5000.005	Rebate kit (13mm) for latches & nightlatches	5600 Series, 5500 Series, 5400 Series	SS
5000.006	Rebate kit (25mm) for bathroom, latches & escape locks	5600 Series, 5500 Series, 5400 Series	SS
5000.007	Rebate kit (13mm) for deadlocks	5600 Series, 5500 Series, 5400 Series	SS