



**996 Series** - Electromagnetic Hold-open or Swing-free (Level 5)

Smart, reliable and fire safe



Parallel mounted version illustrated

Typically used on fire rated doors where the hold-open or swing-free feature is required either in high traffic areas for convenience or in situations where it would be difficult to satisfy the maximum opening force requirements of Part M of The Building Regulations.

Linked to the building's alarm system, electromagnetic door controls eliminate the illegal practice of wedging doors open. This dangerous practice prevents a fire door functioning as it should in stopping the spread of flames and smoke in the event of a fire.

Adjustments: **1** - Closing speed; **2** - Latch action

**Principal Features & Benefits**

- A Pressure die cast aluminium body giving rugged durability.
- B Steel rack and pinion mechanism is heat treated for strength and durability.
- C High quality silicon chrome alloy steel used for the coil spring.
- D Armset and brackets for regular or transom mounting (for parallel mounting please specify when ordering)
- E Fabricated steel cover is available in a range of finishes
- F 'Catch plate' can be set to operate in hold-open or swing-free mode at the point of installation.
- G Electromagnet is controlled by the building fire alarm/detector and activates the 'catch plate' to ensure the door closes automatically in the event of a fire or power failure.
- H Optional rear entry cable allows units to be installed with concealed cable via a concealed loop to protect the closer against vandalism.
- J Supplied with flexible armoured power loop (330mm long as standard) to run power safely from the door frame to the closer.

**Primary options**

- Fixed power units to suit the most common door sizes
- Site selectable for 'hold-open' or 'swing-free' operation
- Can be installed in regular, transom or parallel mounting
- Cover is visually compatible with Classic C cover and is available in a range of metallic, plated and sprayed finishes
- Extra long armoured loop up to 700mm long available



Briton 9963/01/SE in transom mounting with black arms and bracket

**Testing & Certification**

- CE marked to EN1154 - AE0007 (Briton 9963)
- AE0008 (Briton 9964)
- AE0012 (Briton 9965)

CE marked to EN1155 for electromagnetic hold-open variants  
Fire tested to EN1634 on timber doors to achieve a 2 hour fire rating.  
Certifire Approved CF109

Full Declaration of Performance available from our website at:

[www.doorhardware-online.co.uk](http://www.doorhardware-online.co.uk)

**What's in the box?**

- Closer Body
- Body Cover
- Appropriate Arm and Bracket
- Armoured Loop
- Fixing Pack
- Installation Instructions



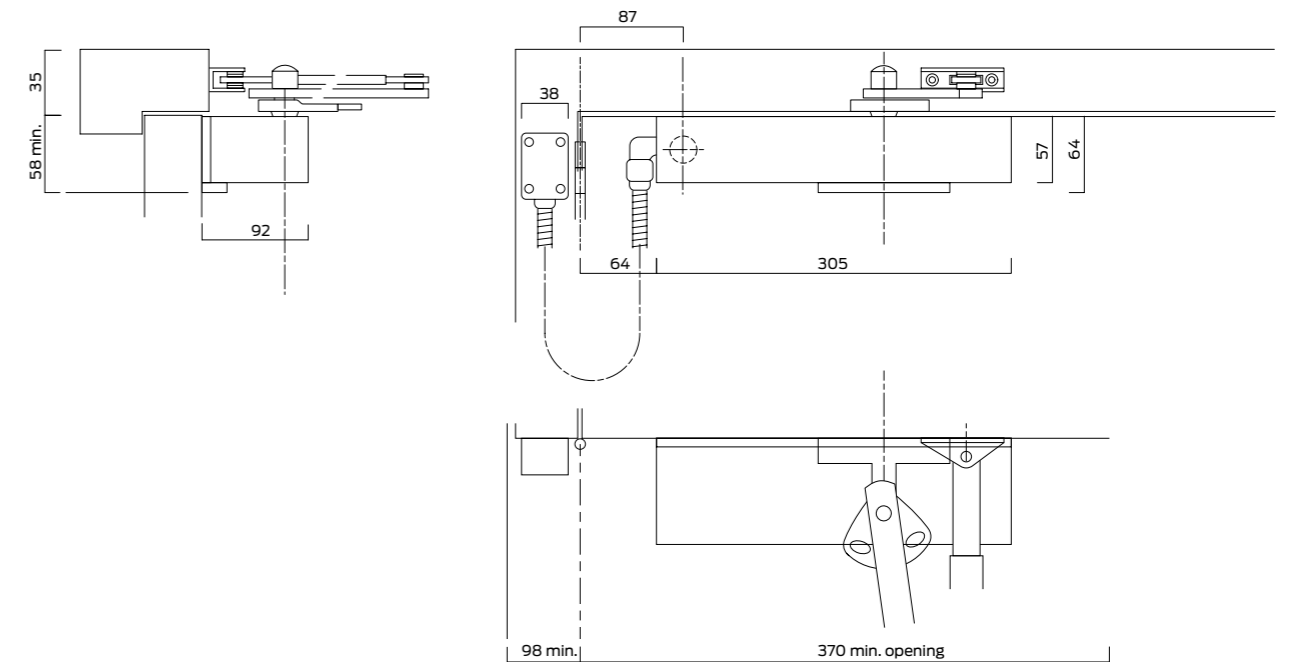


## 996 Series - Quick Selector

Product features		Product references					
EN Closer size	max. door size [width - weight]	9963/01	9963/66	9964/01	9964/66	9965/01	9965/66
1	750mm - 20kg						
2	850mm - 40kg						
3	950mm - 60kg	■	■				
4	1100mm - 80kg			■	■		
5	1250mm - 100kg					■	■
6	1400mm - 120kg						
CE marked (EN 1155)		■	■	■	■	■	■
Fixed closing power EN size		3	3	4	4	5	5
Max. angle of opening (controlled closing)		110°	110°	110°	110°	110°	110°
Adjustable closing speed & latch action		■	■	■	■	■	■
Regular and transom mounting		■		■		■	
Parallel mounting			■		■		■
Hold-open adjustment		■	■	■	■	■	■
Free-swing operation		■	■	■	■	■	■
Cover variants available		Classic	Classic	Classic	Classic	Classic	Classic
Finishes		GE; GES; PB; PBS; PS; PSS; SE; SES; SS; SSS (see table opposite for full details)					
Guarantee period		All variants - 10yrs mechanical / 2 years electrical					
<b>CE Classification</b>		3 8 3 1 1 3	3 8 3 1 1 3	3 8 4 1 1 3	3 8 4 1 1 3	3 8 5 1 1 3	3 8 5 1 1 3

■ Feature as standard    □ Available as an option

Closer in regular mounting with armoured loop



Product Ref.	Description	Mounting Option	Finishes
9963/01	Electromagnetic hold-open/swing-free closer - fixed power EN3	Regular & Transom mount	
9963/66	Electromagnetic hold-open/swing-free closer - fixed power EN3	Parallel mount	PB; PBS; SE; SES; SS; SSS
9964/01	Electromagnetic hold-open/swing-free closer - fixed power EN4	Regular & Transom mount	
9964/66	Electromagnetic hold-open/swing-free closer - fixed power EN4	Parallel mount	
9965/01	Electromagnetic hold-open/swing-free closer - fixed power EN5	Regular & Transom mount	GE; GES; PB; PBS; PS; PSS; SE; SES; SS; SSS
9965/66	Electromagnetic hold-open/swing-free closer - fixed power EN5	Parallel mount	

### Power requirements

For the operation of the closer the power requirements are 24V DC, 90mA nominal. Transformers and relay interfaced to the fire alarm system can also be supplied to link the electricity supply and the fire alarm system (see chart).

### Please note:

It is suggested that all electro-magnetic hold-open door closers be fitted with a release button close to the door frame so that the door can be released without having to manually pull the door away from the hold open mechanism.

Product Ref.	Accessories & Parts	Finishes
996/BRK66	Fig. 66 bracket pack	BM; SE
996/FP01/ZP	Fixing pack for Briton 996 Fig. 1	SE
996/FP66/ZP	Fixing pack for Briton 996 Fig. 66	SE
996/FLSL/550	Flexible loop for Briton 996 - 550mm long	N/A
996/FLSL/600	Flexible loop for Briton 996 - 600mm long	N/A
996/FLSL/700	Flexible loop for Briton 996 - 700mm long	N/A
996/AP01	Fig. 1 arm pack	BM; SS; SE; PB
996//AP66	Fig. 66 arm pack	BM; SS; SE
996/863/UF	Magnet for Briton 996	N/A
996/DP66	Drop plate for Briton 996 Fig. 66	BM; SE
996/CP01	Fig. 1 Cover pack	SS; SE; PB