

2820 Series - Medium Duty Floor Springs

The Briton 2820 Series floor springs are designed for high traffic areas on single or double action doors. These fixed power units are ideally suited to timber, metal and tempered glass doors in areas where a discreet, high quality aesthetic is required, or where a surface mounted closer may be subject to abuse.



Adjustments: **1** - Closing speed (from 130° opening); **2** - Latch action; **3** - Lateral & vertical adjustment of the closer

Low profile floor springs suitable for single or double action single or double doors

Principal Features & Benefits

- A High grade cast iron floor spring body.
- B Heat treated high alloy steel mechanism with ball bearing race for optimum efficiency.
- C Corrosion resistant galvanised steel, zinc coated and powder coated steel cement box.
- D High quality hydraulic fluid with built-in temperature compensation ensures reliable performance in temperatures from -15 °C to +40 °C without the need for seasonal adjustments.
- E Low profile cement box - only 40mm deep. Closer mechanism adjustment within the cement box for height 4mm, length 7mm and width 10mm.
- F Full adjustment within the cement box for height and lateral positioning for perfect door alignment.
- G Stainless steel cover plate available in satin or polished finish.
- H Hardened steel spindle.
- J Easy access to floor spring adjustments for closing speed and latch action. Adjusters cannot be backed out of the closer body.
- K Spindle cover.
- L Single action and double action accessory packs available.

Performance

Briton 2820 Series floor springs are mounted within a low profile cement box. They are suitable for single and double action doors with a maximum opening angle of 130° and with optional hold-open facility. Please note: Mechanical hold-open must not be used on fire door applications.



Testing & Certification

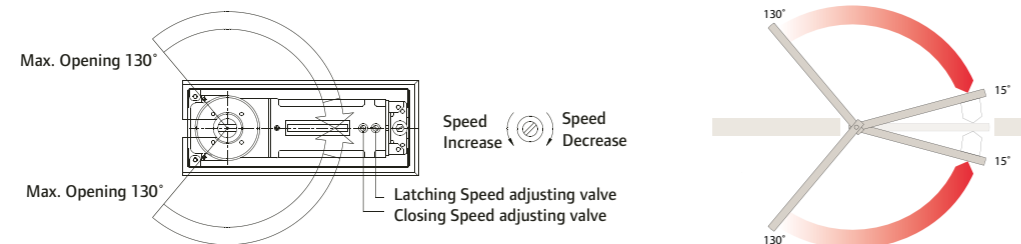
CE marked to EN1154 - AD0304 (Briton 2823)
- AD0305 (Briton 2824)
Note: Briton 2822 is NOT CE marked
Fire tested to EN1634 on timber doors to achieve a 1 hour fire rating
EPD certified
Full Declaration of Performance available from our website at:
www.doorhardware-online.co.uk



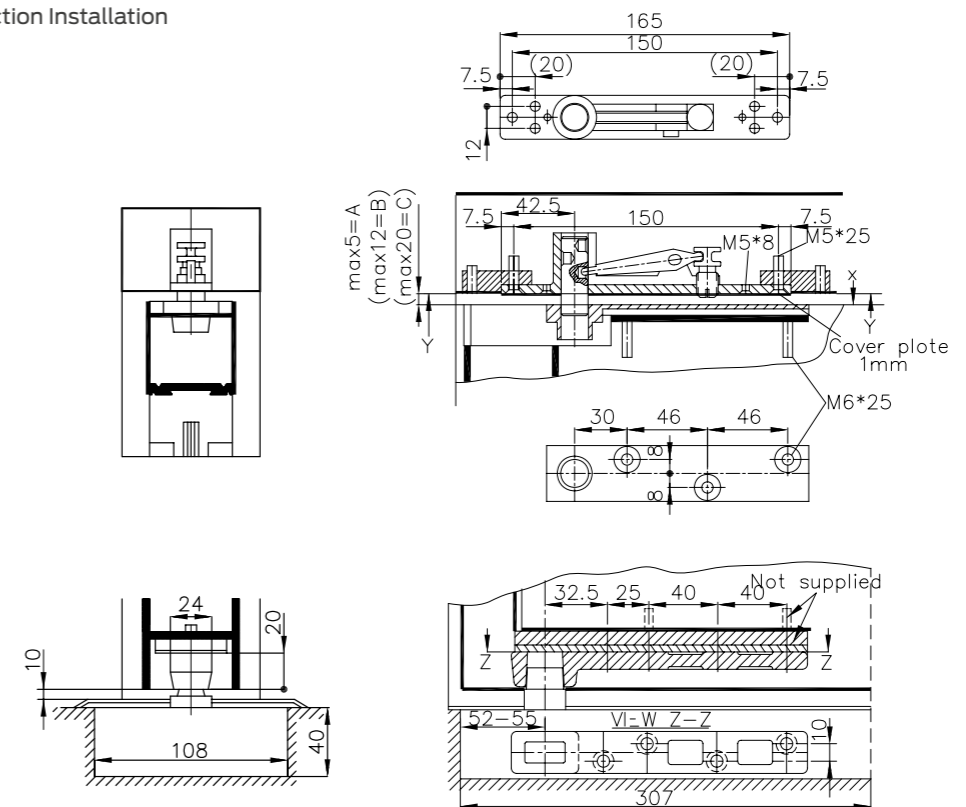
What's in the box?

- Floor Spring Body
- Cover Trimplate
- Standard Spindle and Spindle Cover
- Cement Box
- Fixing Pack
- Installation Instructions

2820 Series - Medium Duty Floor Springs



Double Action Installation



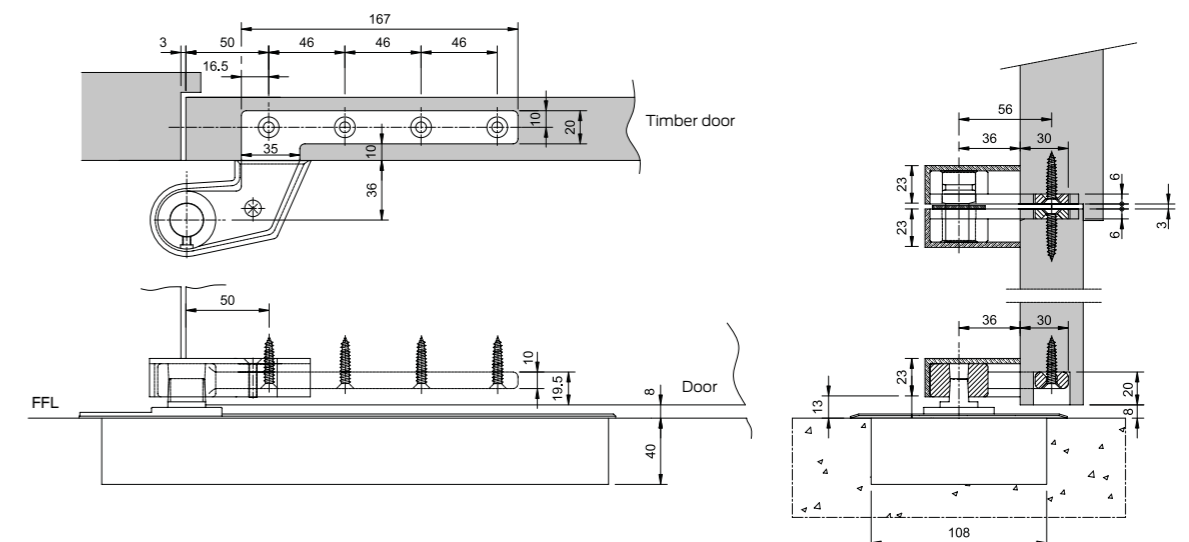
Primary options

- Fixed power units to suit the most common door sizes EN 2 to EN 4
- Each unit is suitable for single or double action
- Variants are available with built-in hold-open facility at 90° or 105° (These variants are not suitable for use on fire door applications)
- Accessories are available for single or double action
- Single action accessories are supplied with stainless steel cover caps to match the floor spring cover plate

Application	Floor spring	Max. closing force	Max. door width
Light duty	2822*	20Nm	900mm
Med. duty	2823	25Nm	1000mm
Heavy duty	2824	33Nm	1100mm

* 2822 is not CE marked

Single Action Installation





2820 Series - Quick Selector

Product features		Product references				
EN Closer size	max. door size [width - weight]	2822.SS	2823.SS	2824.SS	2823.SS.HO.90	2823.SS.HO.105
1	750mm - 20kg					
2	850mm - 40kg	■				
3	950mm - 60kg		■		■	■
4	1100mm - 80kg			■		
5	1250mm - 100kg					
6	1400mm - 120kg					
CE marked			■	■		
Fixed closing power EN size		2	3	4	3	3
Conforms to EN 1154		■	■	■	■	■
Suitable for single action doors		■	■	■	■	■
Suitable for double action doors		■	■	■	■	■
Maximum angle of opening (controlled closing)		130°	130°	130°	130°	130°
Adjustable closing speed & latch action		■	■	■	■	■
Mechanical hold-open					■ 90°	■ 105°
Dimensions	cement box 307 x 108 x 40mm; cover plate 325 x 130mm					
Cover plate in satin stainless steel		■	■	■	■	■
Cover plate in polished stainless steel		□	□	□	□	□
Guarantee period		2yrs	10yrs	10yrs	10yrs	10 yrs
CE Classification		4 8 3 1 1 3		4 8 4 1 1 3		

■ Feature as standard □ Available as an option

Double Action - Briton 2820 DAP

Two part top pivot accessory with lateral adjustment screw accessed from the edge of door. Top pivot is retractable to allow the door to be installed/removed. Bottom strap to align with floor spring spindle.

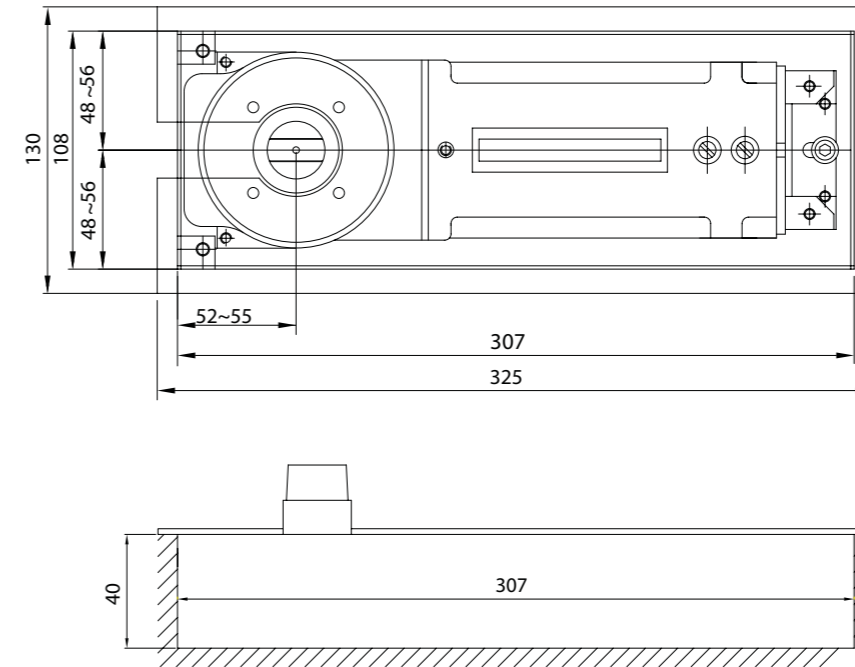


Single Action - Briton 2820 SAP

Two part top pivot accessory with cover caps. This assembly is reversible for left or right hand doors. Bottom strap with cover cap to align with floor spring spindle.



Floor spring dimension (all models)



Product Ref:	Description	Finishes
2822	Floor spring - fixed power EN2 (not CE marked)	SS
2823	Floor spring - fixed power EN3	SS; PS
2824	Floor spring - fixed power EN4	SS; PS
2823.SS.HO.90	Floor spring - fixed power EN3 with hold-open facility at 90°	SS
2823.SS.HO.105	Floor spring - fixed power EN3 with hold-open facility at 105°	SS
2820 DAP	Double action accessory pack	SS
2820 SAP	Single action accessory pack	SS
2820.CP.PS	Floor spring cover plate in polished stainless steel	PS
2820.IP.DAP	Intumescent fire protection pack for double action doors and accessories	N/A
2820.IP.SAP	Intumescent fire protection pack for single action doors and accessories	N/A