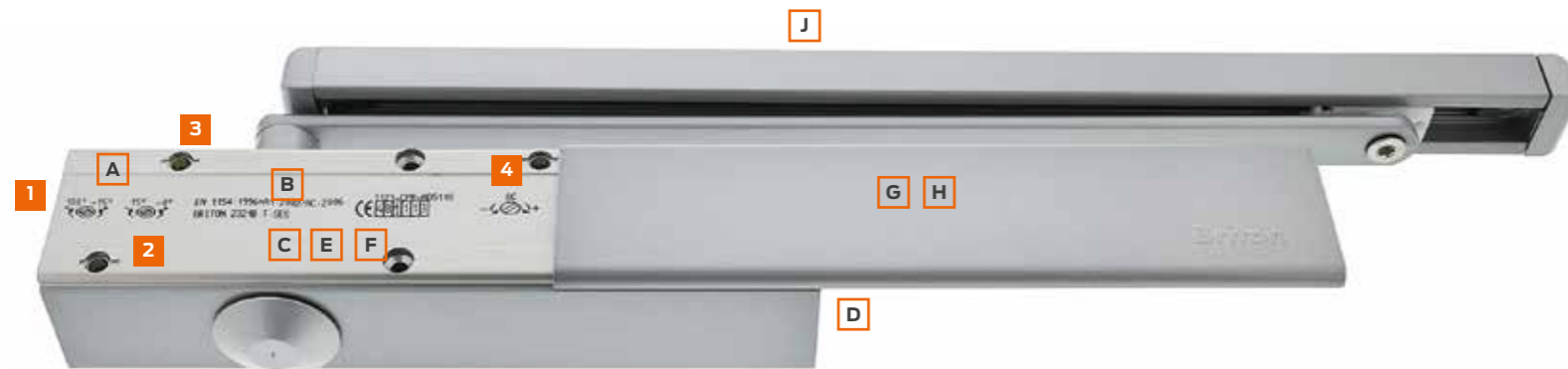


2300 Series - Cam Action Door Closers

The Briton 2300 Series is offered as a simplified version of the Briton 2700 providing the same ease of use by reducing the resistance encountered when initialising the opening of the door. The 2300 Series is available with either a slide in trimplate or with a curved 'Softline' all-over cover.



2320 with slide in trimplate and with softline cover



Adjustments: **1** - Closing power; **2** - Closing speed; **3** - Latch action; **4** - Backcheck

Installation made quick and easy

The efficiency and durability of an overhead door control is greatly improved by accurate installation. The Briton 2300 Series is supplied with the Accufit self adhesive template which not only speeds up the installation process but provides a means of accurately aligning the closer and track on the door and frame.



Briton 2320 with Softline cover in SSS finish, shown in "Push Side Transom Mount" option.

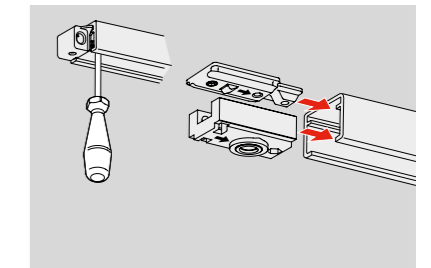
Compact, modern slimline design

Principal Features & Benefits

- A Briton 2300 Series has an extruded aluminium body.
- B High performance cam action technology is extremely efficient, providing reliable closing but easy to open
- C Full complement bearings provide increased bearing load for efficient operation and improved reliability.
- D Power adjustment allows installers to adjust the spring power to suit the size and location of the door.
- E Silicon chrome alloy steel springs for superior strength and reliability.
- F High quality hydraulic fluid with built-in temperature compensation ensures reliable performance without the need for seasonal adjustment.
- G A radiused slide in trimplate and spindle cap is available to conceal the main door closer fixings and adjustment screws.
- H An alternative 'all-over' cover is also available, secured by simple unobtrusive spring clips and providing a smooth, contemporary look.
- J Co-ordinated track design with concealed fixings
- K Unique self-adhesive 'Accufit' template, together with easy-to-read instructions assist quick and easy installation.

Mechanical hold open

The optional hold open unit is installed into the slide track in place of the standard pivot block. The hold open facility can be easily switched on/off and the force required to release the hold open action can be adjusted to suit the weight of door.



Briton 2300 Series door closers are packed complete, reducing the possibility of lost or missing parts.

Testing & Certification

CE marked to EN1154 (AD5118)
 Fire tested to EN1634 on timber doors to achieve a 2 hour fire rating.
 Certifire Approved CF5291
 EPD Certified
 Full Declaration of Performance available from our website at:
www.britondops.co.uk



What's in the box?

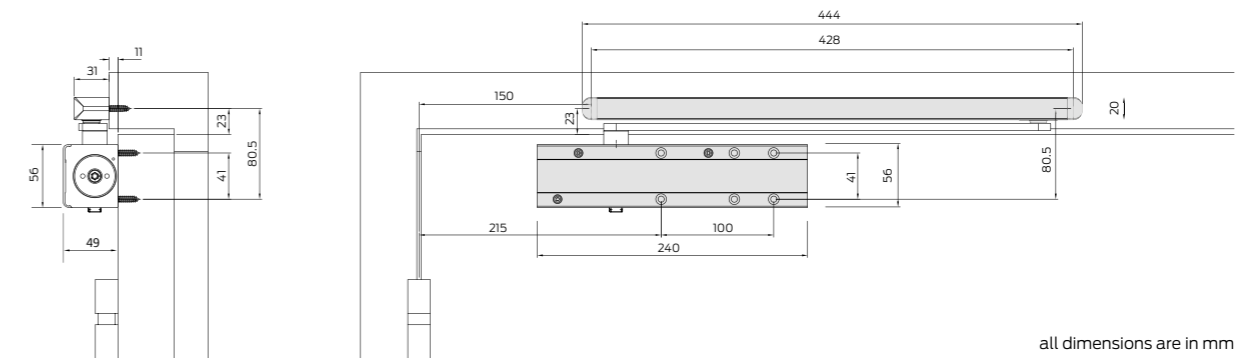
- Closer Body
- Body Cover
- Armset and Track
- Fixing Pack
- Accufit template and backplate
- Installation Instructions

2300 Series - Quick Selector

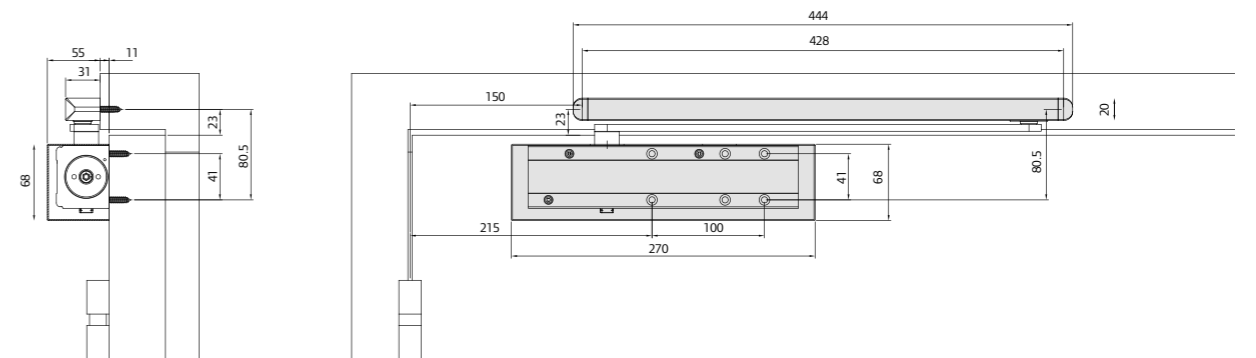
Product features		Product references	
EN Closer size	max. door size [width - weight]	2320B.T	2321B.T
1	750mm - 20kg		
2	850mm - 40kg	■	■
3	950mm - 60kg	■	■
4	1100mm - 80kg	■	■
5	1250mm - 100kg		
6	1400mm - 120kg		
Pull side door / Push side transom mounting		■	
Push side door / Pull side transom mounting			■
Variable closing power EN size		2 - 4	2 - 4
Accufit template and Accufit mounting plate		■	■
Maximum angle of opening*		180°	180°
Separate closing speed & latch action adjustment		■	■
Adjustable backcheck		■	■
In-built temperature compensation		■	■
Mechanical hold-open		□	□
Matching slide channel, arm & cover finish		■	■
All over metal cover		□	□
Dimensions (with trimplate L x D x H mm)		240 x 56 x 49	240 x 56 x 49
Dimensions (with cover L x D x H mm)		270 x 68 x 63	270 x 68 x 63
Finishes available		SSS; PSS; PBS; SES	
Warranty period		10yrs	10yrs
CE Classification		4 8 2-4 1 1 3	

- Standard
 - Optional
 - * When door mounted.
- Transom mounted closers are restricted to 120° opening.

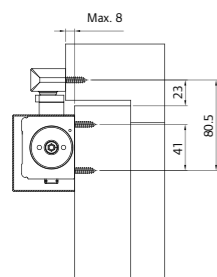
Closers with slide in trimplate



Closers with all over cover

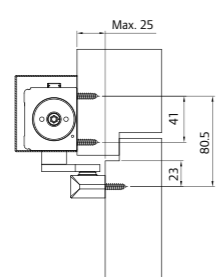


Briton 2320B.T - door mounted pull side



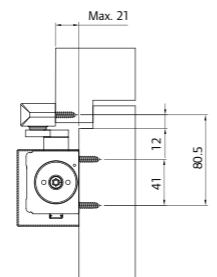
Max. opening angle - 180°

Briton 2320B.T - transom mounted push side



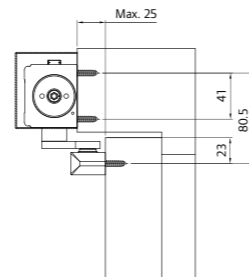
Max. opening angle - 120°

Briton 2321B.T - door mounted push side



Max. opening angle - 120°

Briton 2321B.T - transom mounted pull side



Max. opening angle - 180°



Product Ref:	Description	Mounting Position	Finishes
2320B.T	Closer with trimplate - adjustable power EN size 2 - 4	Door mount pull side, transom mount push side	SES
2321B.T	Closer with trimplate - adjustable power EN size 2 - 4	Door mount push side, transom mount pull side	SES
2320B.T.S	Closer with Softline cover - adjustable power EN size 2 - 4	Door mount pull side, transom mount push side	SES; SSS; PSS
2321B.T.S	Closer with Softline cover - adjustable power EN size 2 - 4	Door mount push side, transom mount pull side	PSS

Product Ref:	Accessories & Parts
2300.AP	Arm pack (available in SE; SS; PS finishes)
2300.CPS	Softline cover pack (available in SE; SS; PS finishes)
2300.F.PLT	Fixing plate (available in black, white or SE finishes)
2300.FPCT	Fixing pack - Closer and track arm
2300.FPT	Fixing pack - Track arm only
2320.HP	Hold-open conversion pack
2320.NS	Nylon track slider
2320.RI	Rubber inserts
1502097.SE	6mm mounting fixing plate for extra body projection
6100999	Surface mounted double door co-ordinator 1350-2500 x 32.5 x 32mm

