

9160, 9260 & 9360 - Digital locks

Simplicity of installation combined with the convenience of keyless security



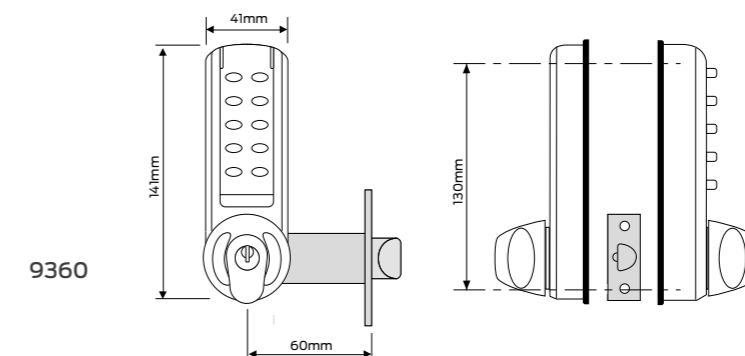
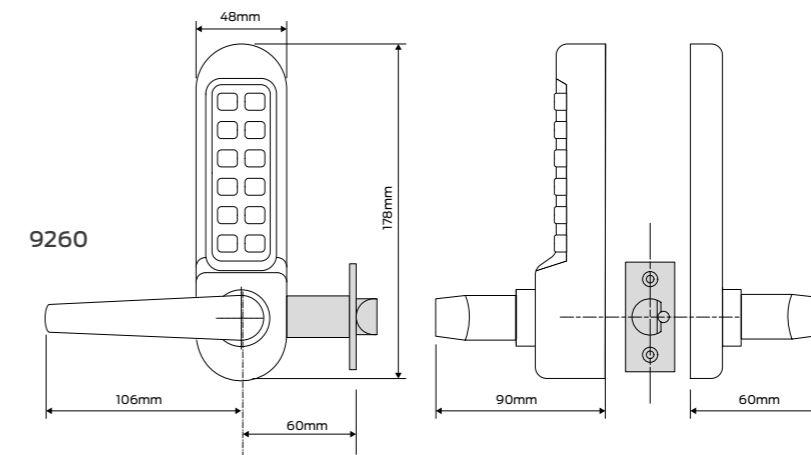
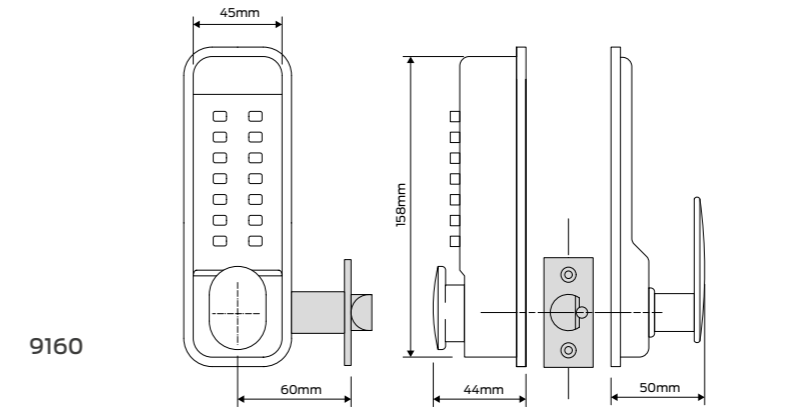
Push button digital lock - 9160
With tubular mortice latch.



Push button digital lock - 9260
With tubular mortice latch.



Electronic digital code lock - 9360
With tubular mortice latch.



9160 - Mechanical digital lock

- Push button code lock
- Operates using a single PIN code
- Suitable for light duty internal use only
- Spindle can be cut on site to suit doors 35 - 60mm thick
- Supplied c/w tubular mortice latch and internal turn knob
- Hold-open facility by snib on the internal turn knob unit
- Available in silver finish or polished brass

9260 - Digital code lock

- Digital code lock with over 2047 non sequential code options
- Available with extra long spindles for use with Briton exit devices
- Reversible lever operation for left or right hand applications
- Code changed by removing the unit from the door
- Available in satin stainless steel, polished stainless steel or polished brass

9360 - Digital code lock

- Simple and quick replacement or upgrade to mechanical code locks (common fixing holes)
- Code change without removing the unit
- Up to 80 user codes of 4 - 6 digits
- Up to 10 "One Time" codes
- Over 80,000 operations from 2 x AA batteries
- External battery override contacts
- Key override as standard
- Non handed
- PVD- brushed steel finish

Product Ref:	Function/description	Finishes
9160	Mechanical digital lock c/w hold-back function and tubular mortice latch	SV; PB
9260	Lever operated mechanical code lock c/w tubular mortice latch	PVD-SS
9360	Electronic digital code lock c/w tubular mortice latch	PVD-BS