

Briton 4700 Lever on Rose Installation Instructions

4700/001/00
Rev A.

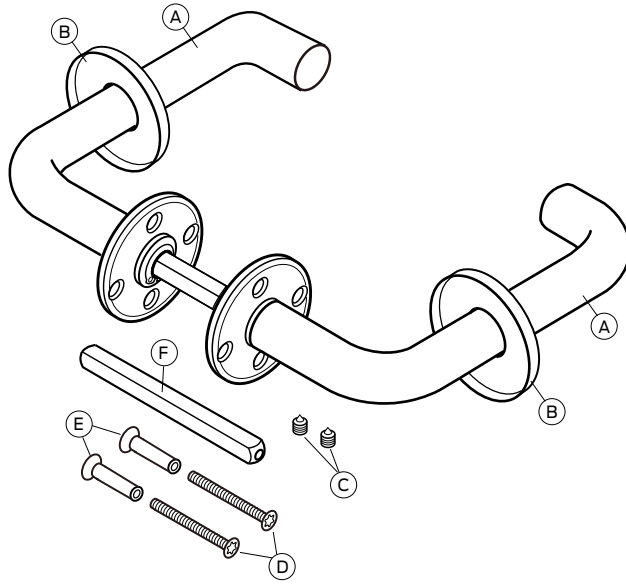
1

Lever Set Contents:

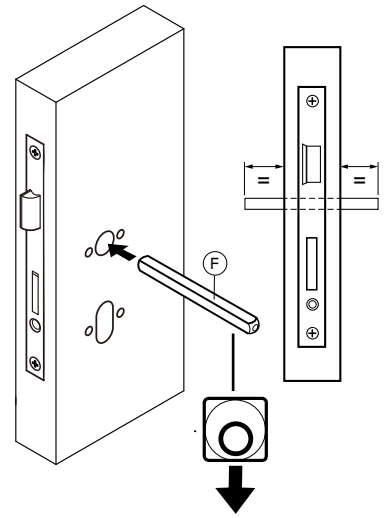
- A 2 x Lever Handles
- B 2 x Handle Roses
- C 2 x Grub Screws

Fixing Set Contents:

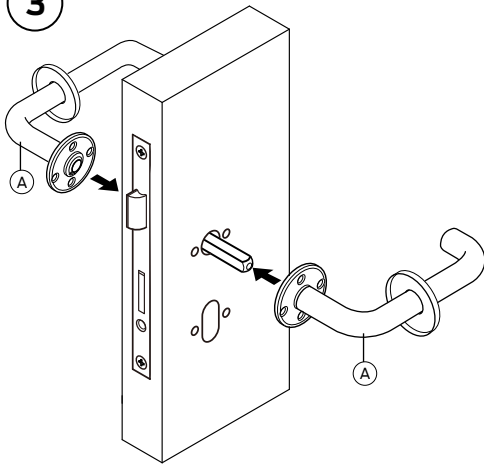
- D M4 x 60mm Torx Screws
- E M4 x 22mm Torx Caps
- F 8mm x 100mm Break Through Spindle



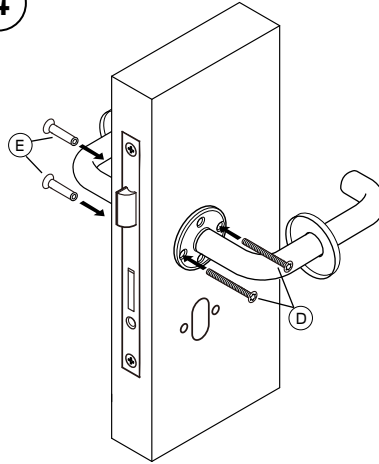
2



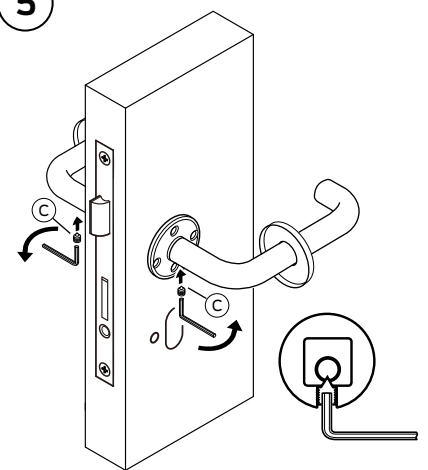
3



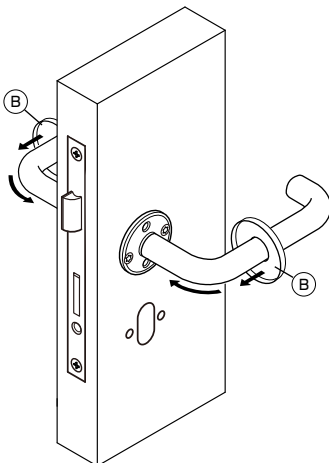
4



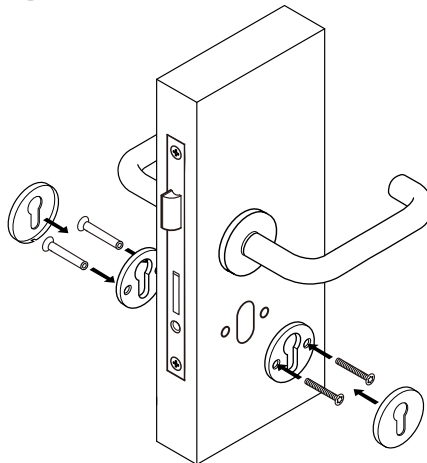
5



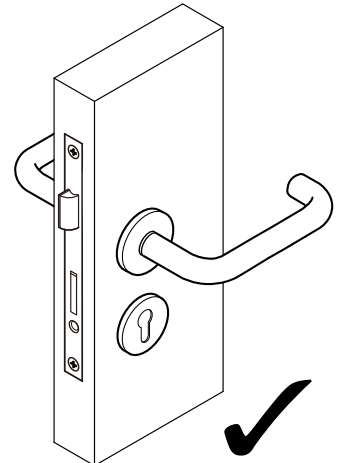
6



7



8



Briton 4700 Lever on Plate Installation Instructions

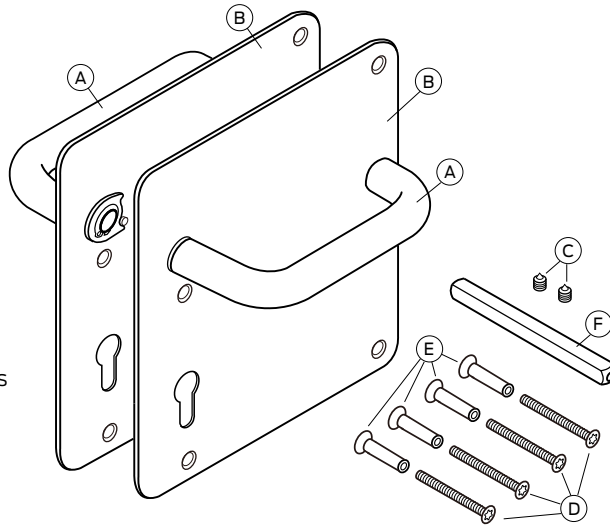
1

Lever Set Contents:

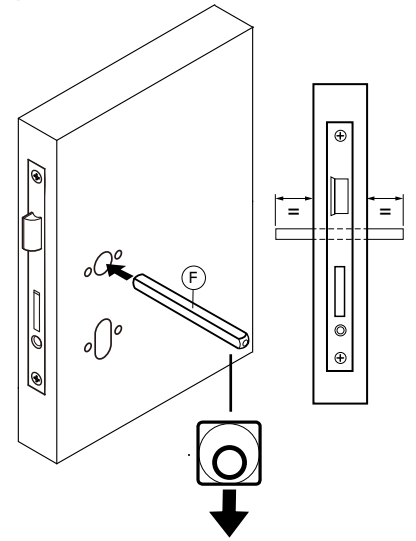
- A 2 x Lever Handles
- B 2 x Handle Plates
- C 2 x Grub Screws

Fixing Set Contents:

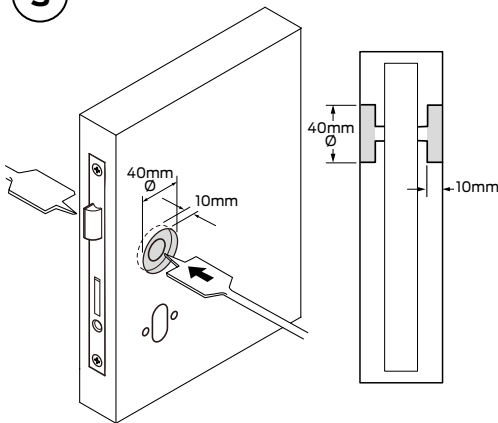
- D 4 x M4 x 60mm Torx Screws
- E 4 x M4 x 22mm Torx Caps
- F 1 x 8mm x 100mm Break Through Spindle



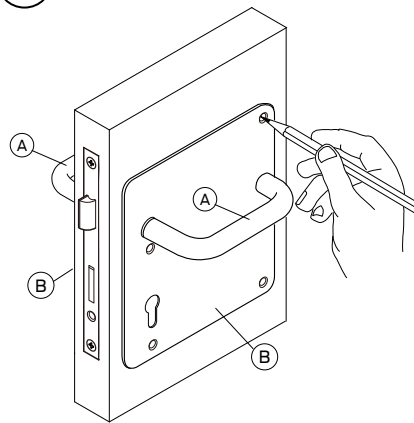
2



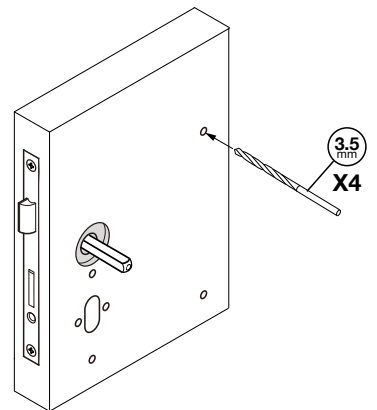
3



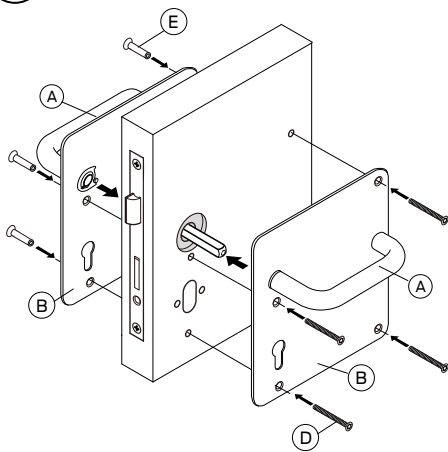
4



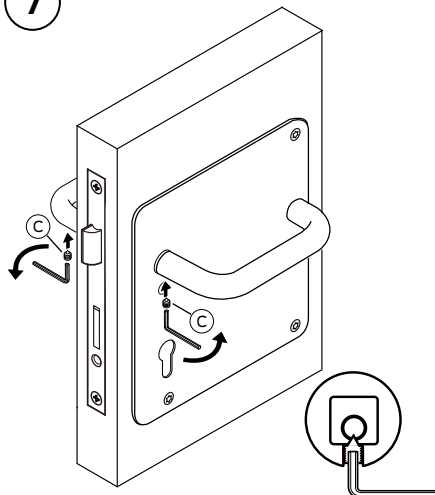
5



6



7



8

