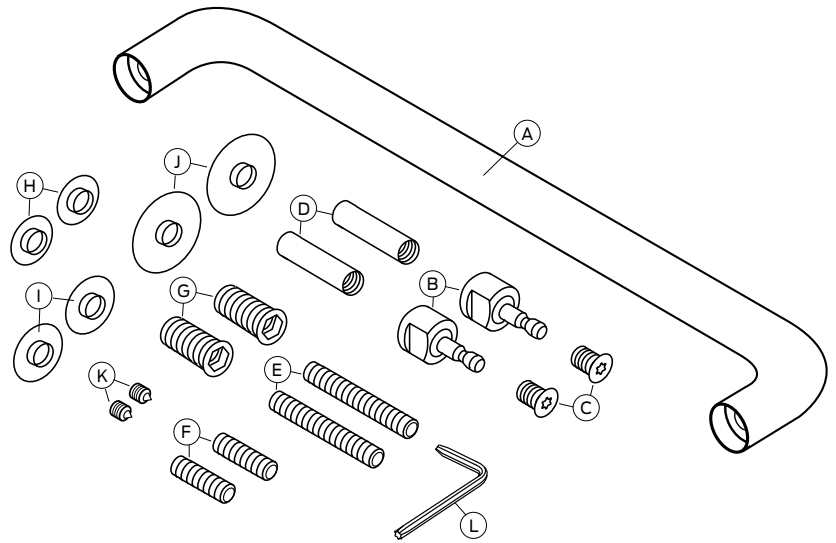


Briton 4700 Pull Handle Installation Instructions

4700/002/00
Rev A.

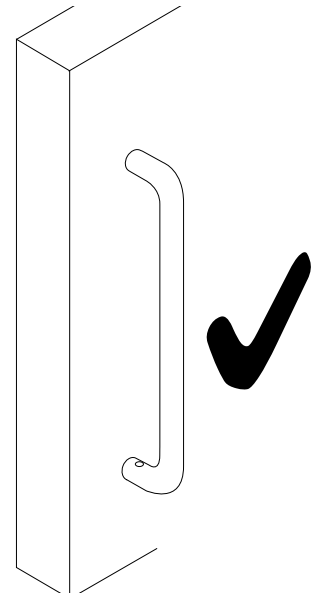
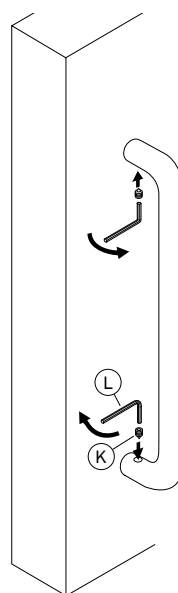
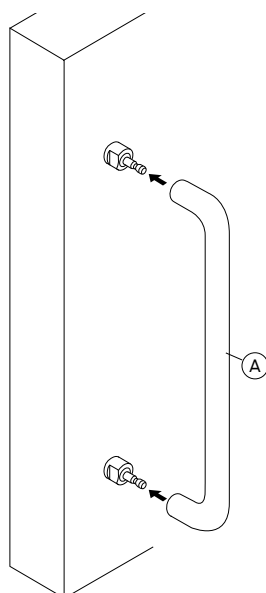
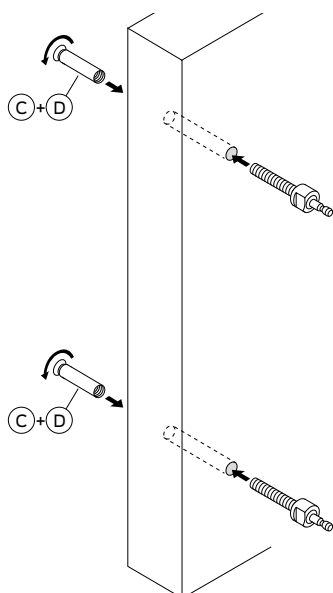
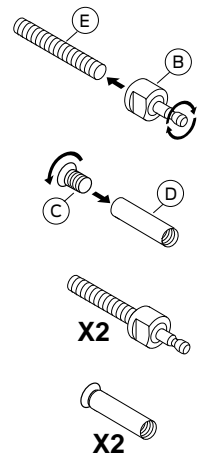
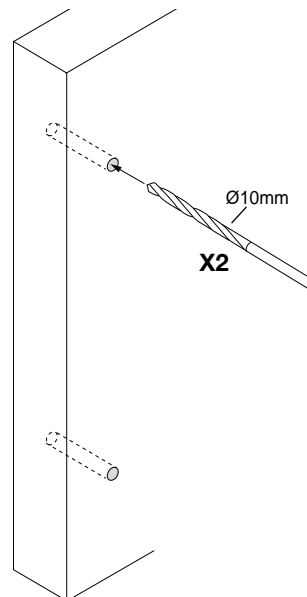
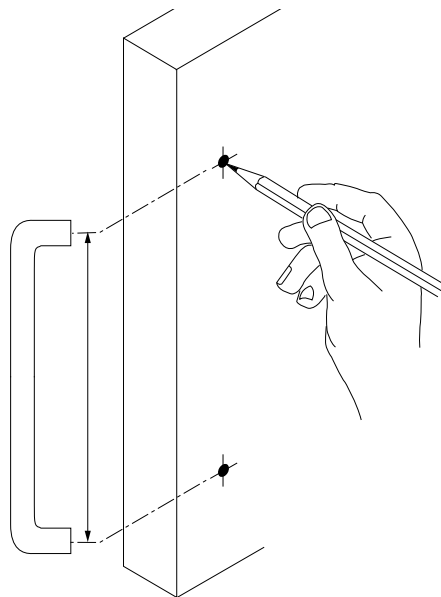
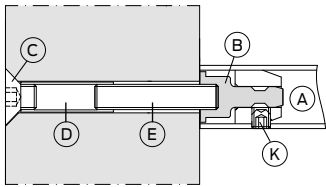
Pull Handle Set Contents:

- A 1 x Stainless Steel Pull Handle
- B 2 x Pull Handle Mounting Brackets
- C 2 x M8 x 10mm Torx Screws
- D 2 x M8 x 30mm Threaded Tubes
- E 2 x M8 x 40mm Threaded Inserts
- F 2 x M8 x 20mm Threaded Inserts
- G 2 x M8 Secret Fix Threaded Inserts
- H 2 x 20mm Plastic Washer Inserts
- I 2 x 22mm Plastic Washer Inserts
- J 2 x 32mm Plastic Washer Inserts
- K 2 x Pull Handle Grub Screws
- L 1 x Torx Head Allen Key



1

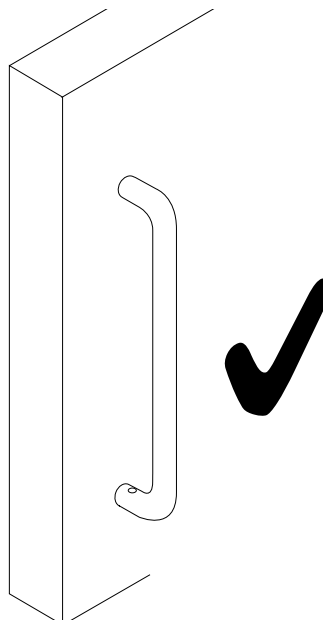
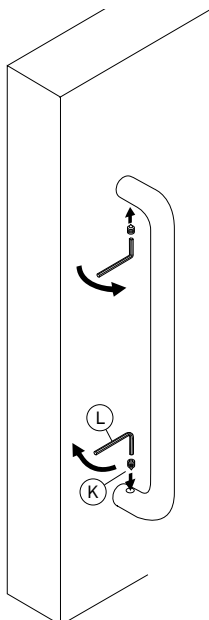
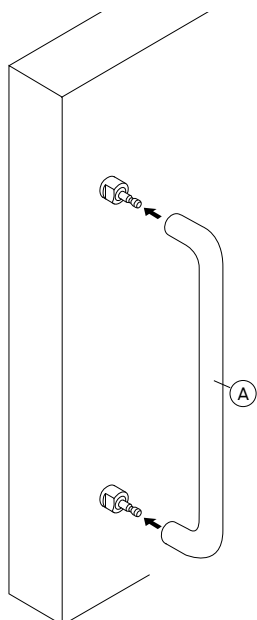
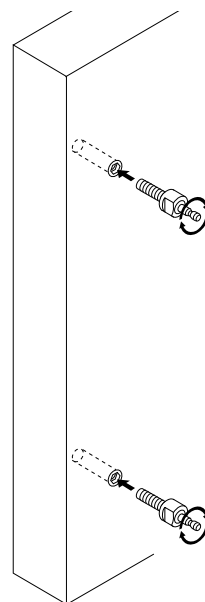
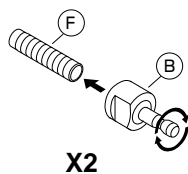
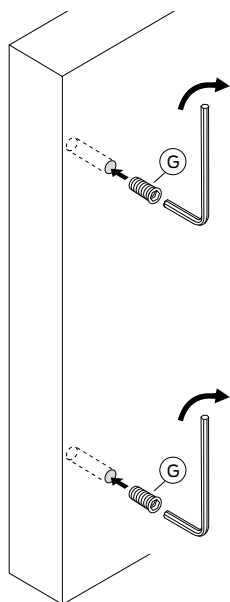
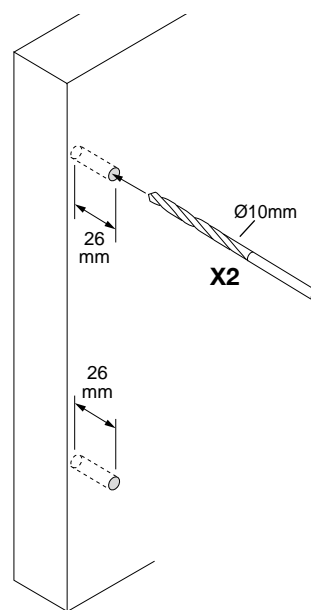
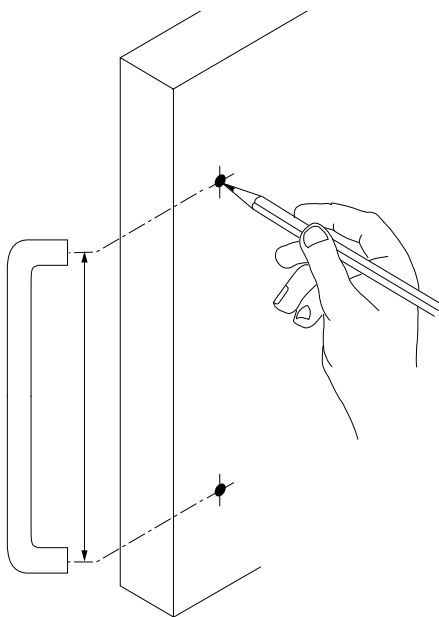
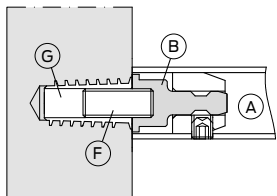
Timber Doors Bolt Through Fixing - Single Pull Handle



Installation Instructions – Briton 4700 Pull Handles

2

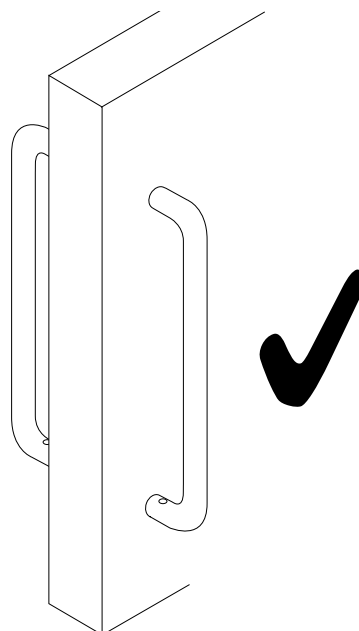
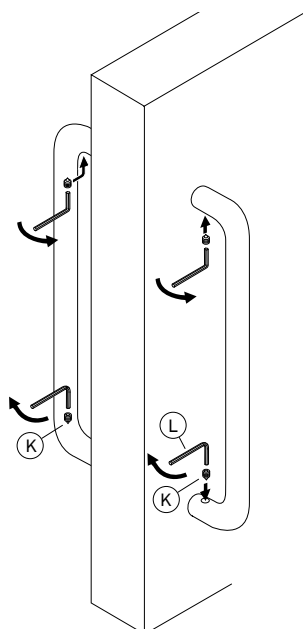
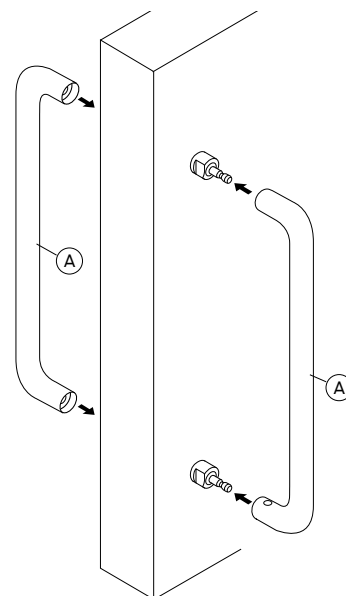
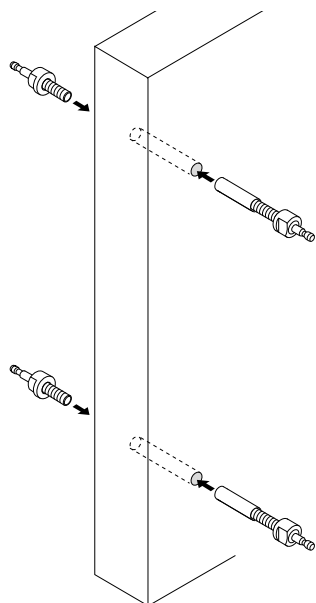
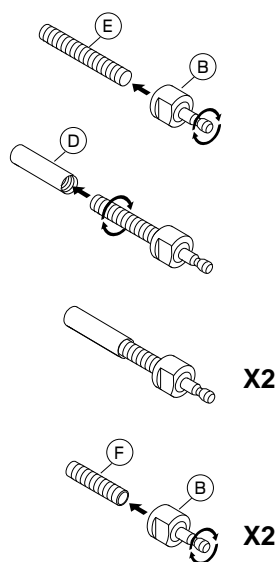
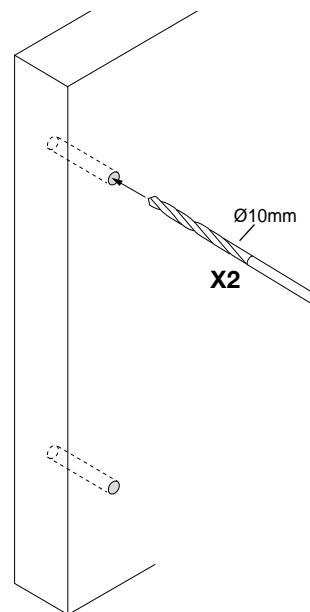
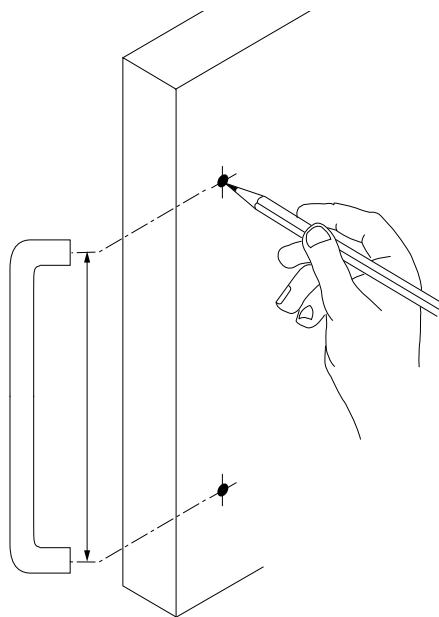
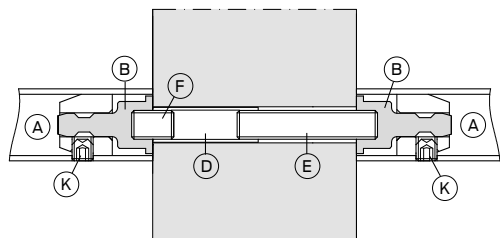
Timber Doors Secret Fixing - Single Pull Handle



Installation Instructions – Briton 4700 Pull Handles

3

Timber Doors
Back to Back Fixing -
Pair of Pull Handles



Installation Instructions – Briton 4700 Pull Handles

4

Glass Doors
Back to Back Fixing -
Pair of Pull Handles

