

SIZE 1-4 ADJUSTABLE BACKCHECK CLOSER



WARNING
DOOR CLOSER POWER #1 & 2 AND THOSE SUPPLIED WITH MECHANICAL HOLD OPEN DEVICES MUST NOT BE INSTALLED ON FIRE / SMOKE DOORS.

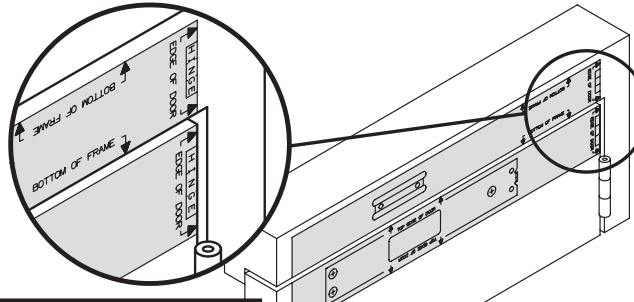
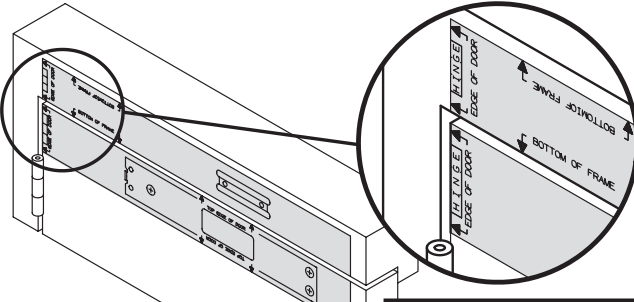
2110/103/00
ISSUE A

PULL SIDE - REGULAR APPLICATION (FIG. 1)

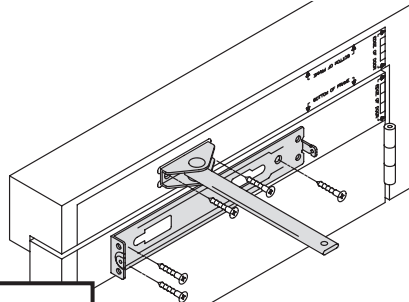
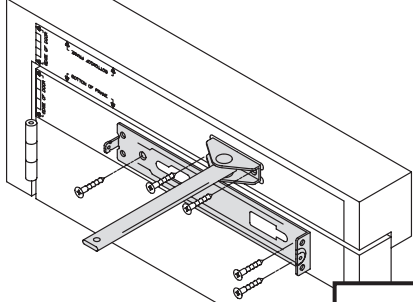
ANGLE OF OPENING 180° SUBJECT TO HINGE & SURROUNDING STRUCTURE

R.H. DOOR

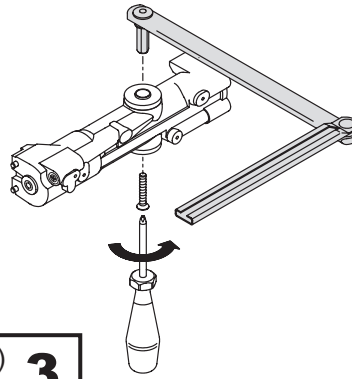
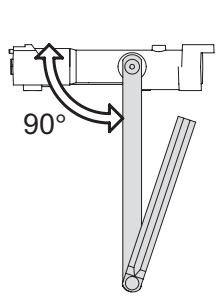
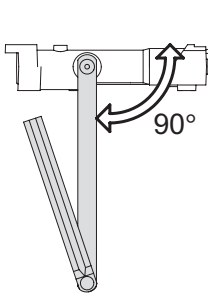
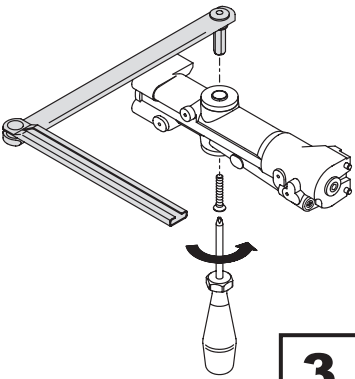
L.H. DOOR



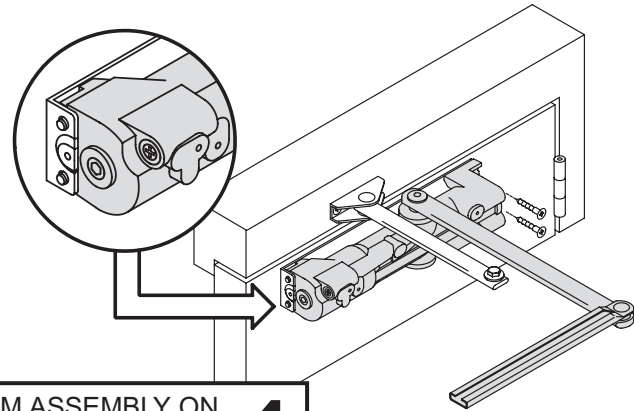
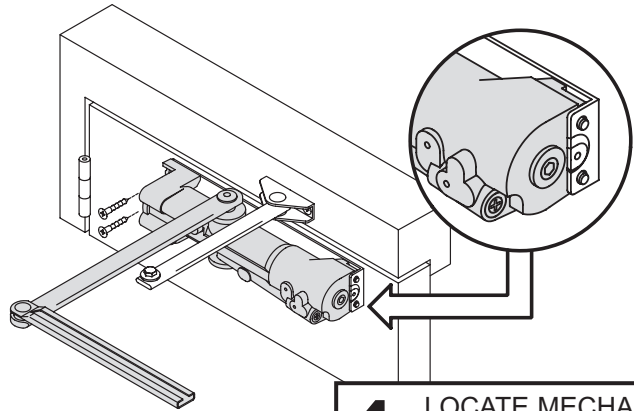
1 PEEL TEMPLATES OFF BACKING PAPER
POSITION ON DOOR/FRAME
PILOT DRILL 7 HOLES **1**



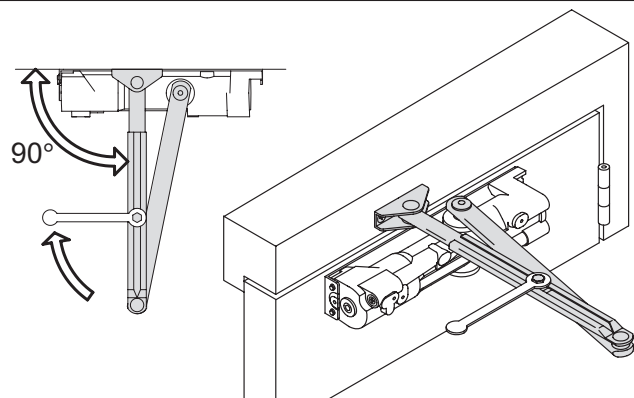
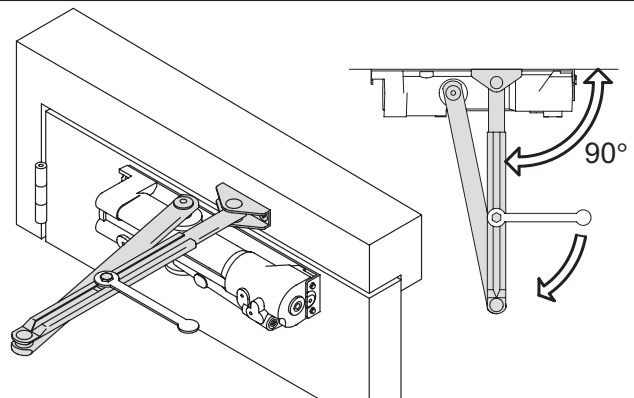
2 FIT BACKPLATE (3 SCREWS)
FIT BRACKET ASSEMBLY (2 SCREWS)
PEEL OFF TEMPLATES **2**



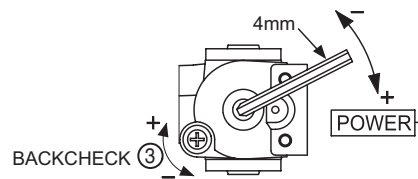
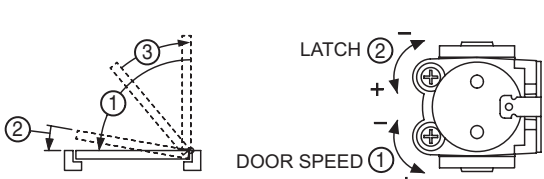
3 FIT MAIN ARM ASSEMBLY TO MECHANISM (90°)
SECURELY TIGHTEN FIXING SCREW **3**



4 LOCATE MECHANISM ASSEMBLY ON
BACKPLATE AND SECURE (2 SCREWS) **4**

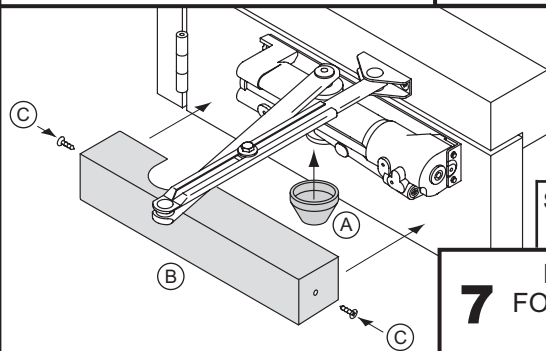


5 OPEN DOOR TO ENGAGE SECONDARY ARM STRIP AND TUBE
CLOSE DOOR AND SET SECONDARY ARM AT 90° TO DOOR FACE
SECURELY TIGHTEN CLAMP BOLT WITH SPANNER **5**



6 IF NECESSARY ADJUST
POWER AND DOOR SPEEDS **6**

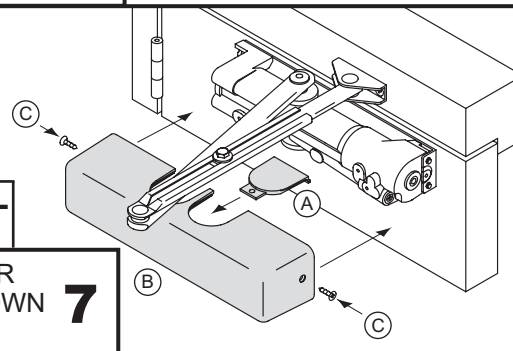
POWER (FIG.1) FACTORY SET TO SIZE 3	
CLOSER POWER SIZE	NUMBER OF TURNS (APPROX)
1	-6
2	-3
3	0
4	+5



STANDARD COVER

OPTIONAL COVERS

7 FIT COVER TO CLOSER
FOLLOWING STEPS SHOWN
(2 SCREWS) **7**



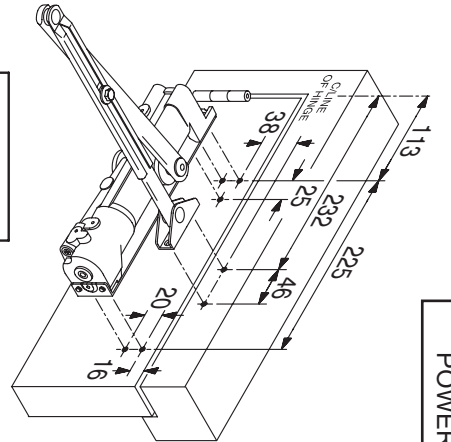
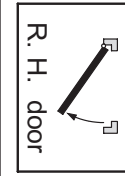
CLOSER POWER
DOOR SIZE

#1
20kg
750 MAX

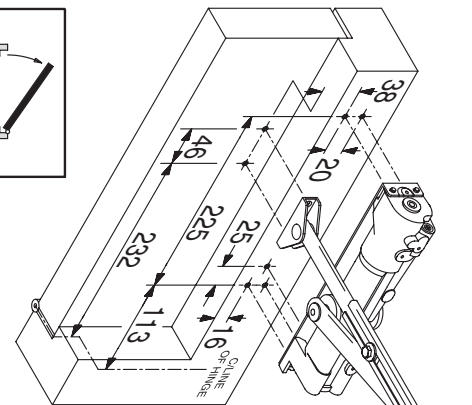
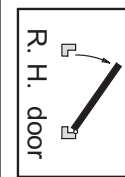
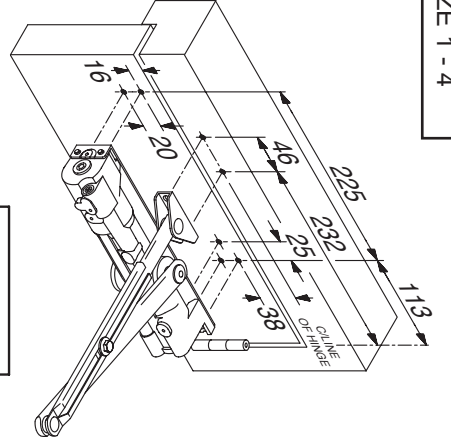
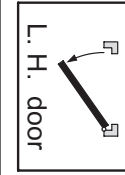
#2
40kg
850 MAX

#3
60kg
950 MAX

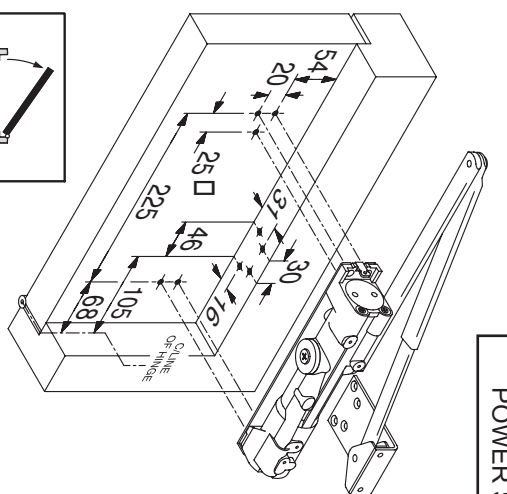
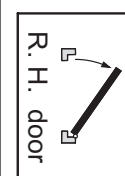
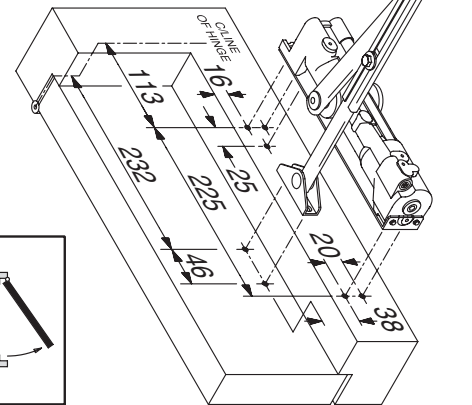
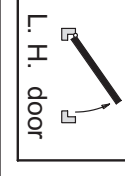
#4
80kg
1100 MAX



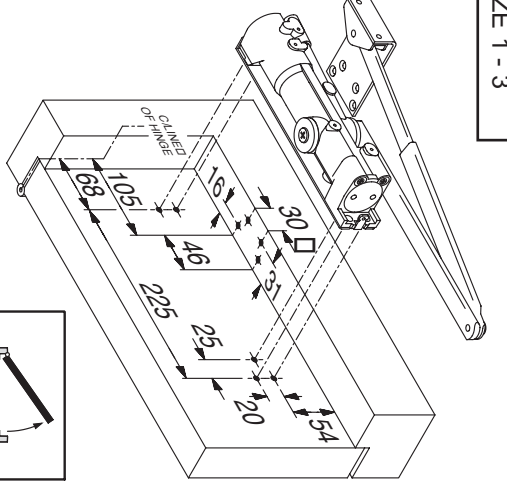
REGULAR FIXING (FIG.1)
POWER SIZE 1 - 4



TRANSOM AND PARALLEL ARM FIXING (FIG.61)
POWER SIZE 1 - 4



PARALLEL ARM FIXING (FIG.66)
POWER SIZE 1 - 3



FOR TRANSOM AND PARALLEL ARM INSTALLATION PROCEDURE SEE OVERLEAF
MAINTENANCE (Quarterly)
Check that the door closer closes the door correctly and fixing screws are tight.
Periodically apply light oil to arm knuckle joints and door hinges.

NOTE - all dimensions are in millimetres



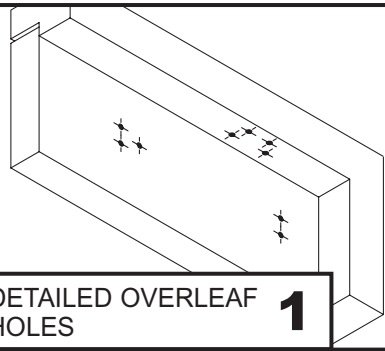
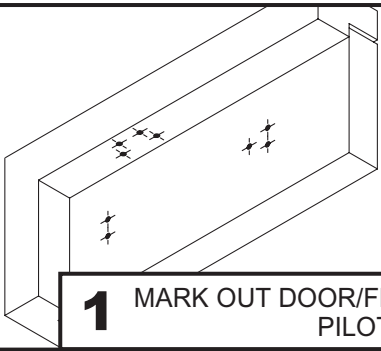
Security Technologies

PUSH SIDE - PARALLEL ARM APPLICATION (FIG.66)

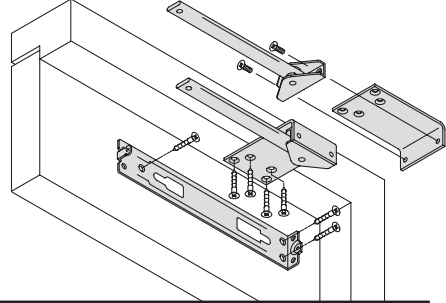
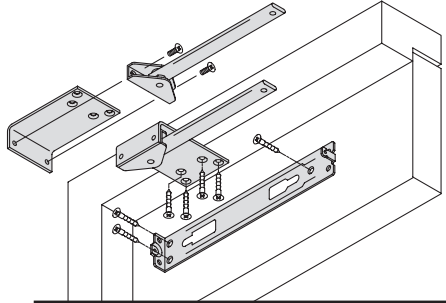
ANGLE OF OPENING 180° SUBJECT TO HINGE & SURROUNDING STRUCTURE

L.H. DOOR

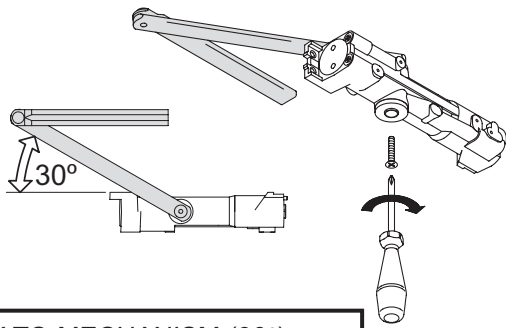
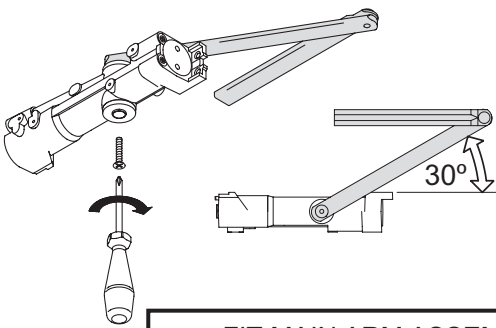
R.H. DOOR



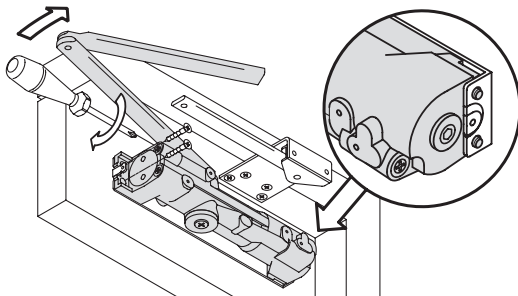
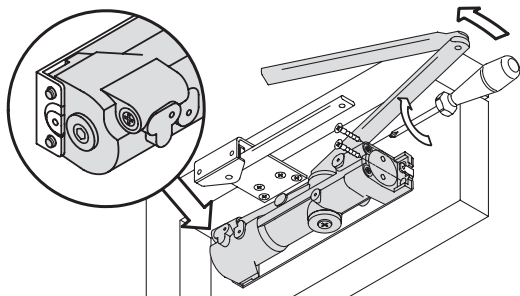
1 MARK OUT DOOR/FRAME AS DETAILED OVERLEAF
PILOT DRILL 9 HOLES **1**



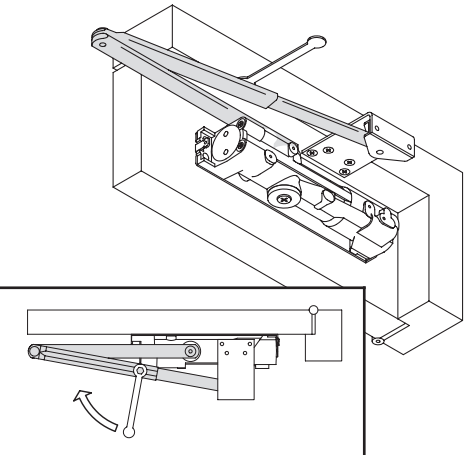
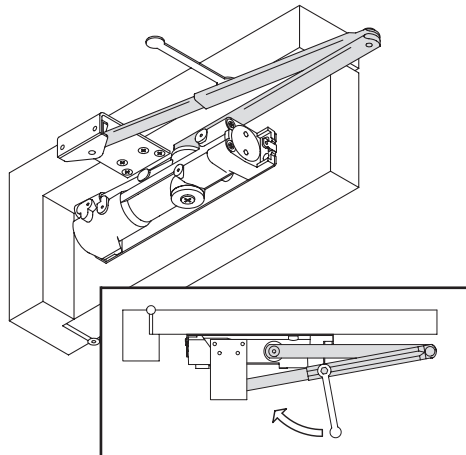
2 FIT BACKPLATE (3 SCREWS)
FIT ARM BRACKET ASSEMBLY TO FIG.66 BRACKET (2 SCREWS)
FIT BRACKET ASSEMBLY TO FRAME (4 SCREWS) **2**



3 FIT MAIN ARM ASSEMBLY TO MECHANISM (30°)
SECURELY TIGHTEN FIXING SCREW **3**



4 FULLY CLOSE DOOR SPEED AND LATCH REGULATORS
PULL MAIN ARM FORWARD, LOCATE MECHANISM ASSEMBLY ON
BACKPLATE AND SECURE (2 SCREWS) **4**



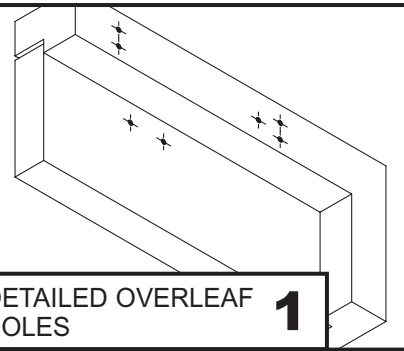
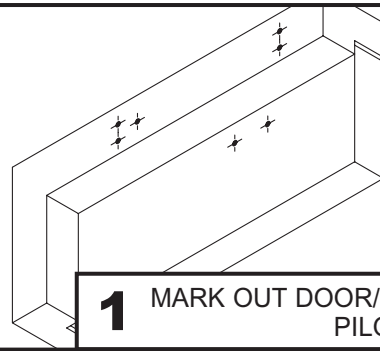
5 OPEN DOOR TO ENGAGE SECONDARY ARM STRIP AND TUBE
CLOSE DOOR AND SET MAIN ARM PARALLEL TO DOOR FACE
SECURELY TIGHTEN CLAMP BOLT WITH SPANNER **5**

PUSH SIDE TRANSOM APPLICATION (FIG.61)

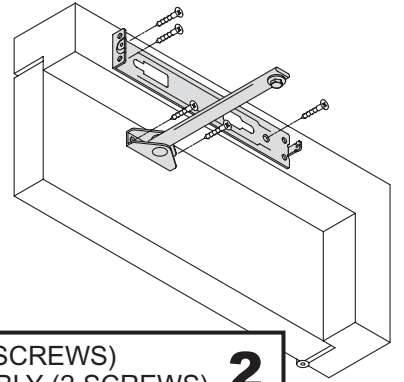
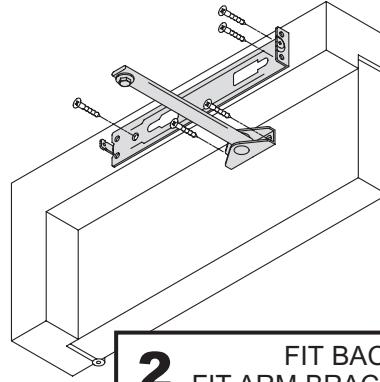
ANGLE OF OPENING 180° SUBJECT TO HINGE & SURROUNDING STRUCTURE

L.H. DOOR

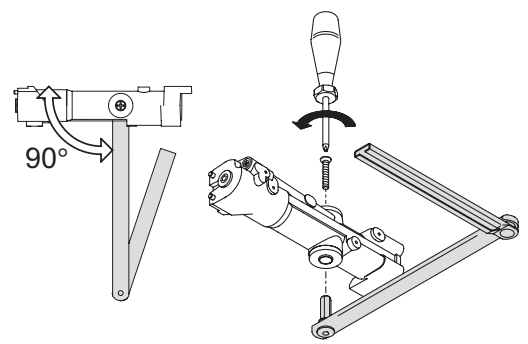
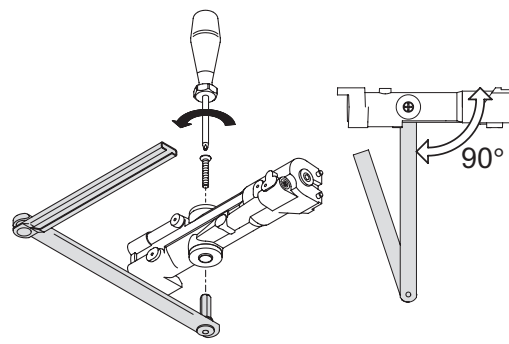
R.H. DOOR



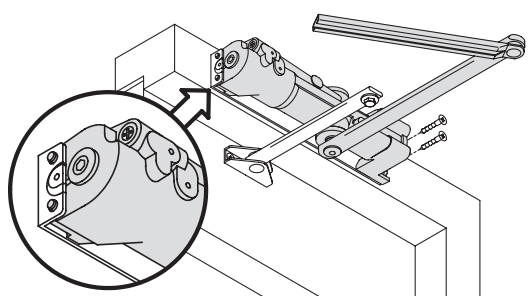
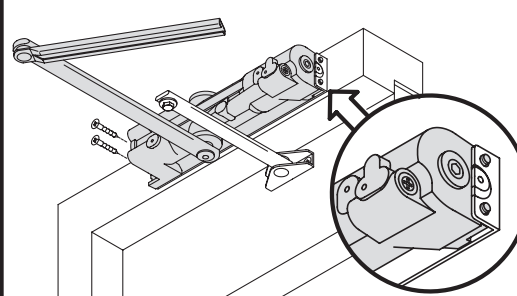
1 MARK OUT DOOR/FRAME AS DETAILED OVERLEAF
PILOT DRILL 7 HOLES **1**



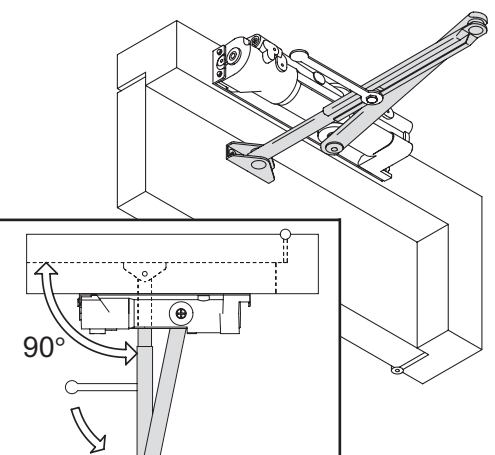
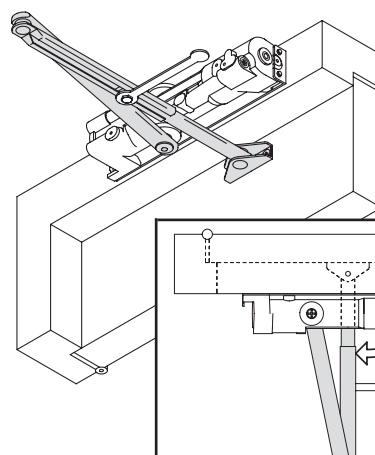
2 FIT BACKPLATE (3 SCREWS)
FIT ARM BRACKET ASSEMBLY (2 SCREWS) **2**



3 FIT MAIN ARM ASSEMBLY TO MECHANISM (90°)
SECURELY TIGHTEN FIXING SCREW **3**



4 LOCATE MECHANISM ASSEMBLY ON BACKPLATE
AND SECURE (2 SCREWS) **4**

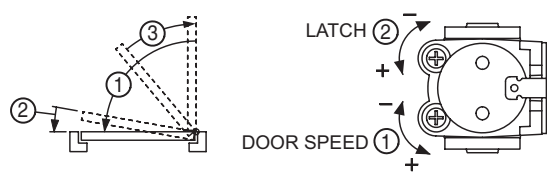


5 OPEN DOOR TO ENGAGE SECONDARY ARM STRIP AND TUBE
CLOSE DOOR AND SET SECONDARY ARM AT 90° TO DOOR FACE
SECURELY TIGHTEN CLAMP BOLT WITH SPANNER **5**

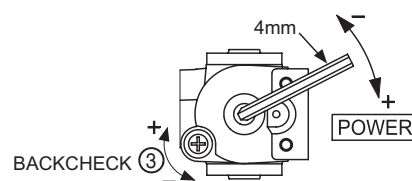
POWER (FIG.66)

FACTORY SET TO SIZE 3

CLOSER POWER SIZE	NUMBER OF TURNS (APPROX)
1	-6
2	-3
3	0
3+	+5



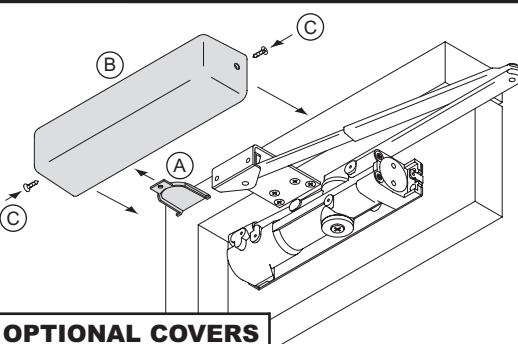
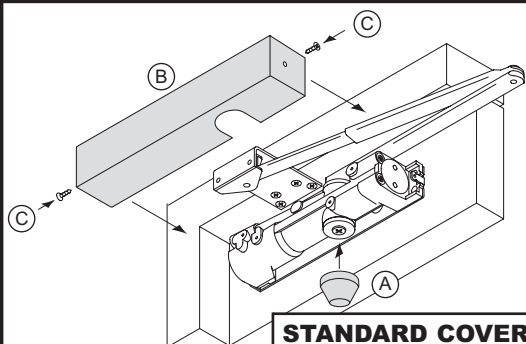
6 IF NECESSARY ADJUST POWER AND DOOR SPEEDS **6**



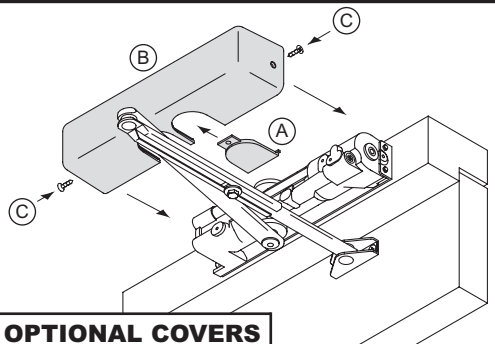
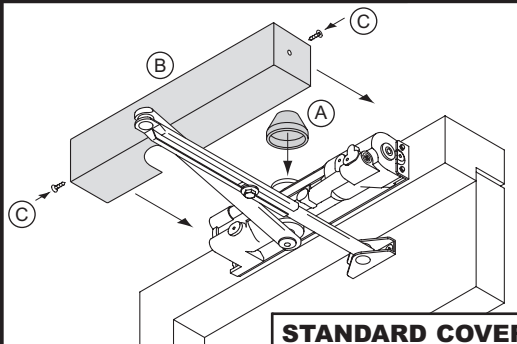
POWER (FIG.61)

FACTORY SET TO SIZE 3

CLOSER POWER SIZE	NUMBER OF TURNS (APPROX)
1	-5
2	-3
3	0
4	+5



7 FIT COVER TO CLOSER FOLLOWING STEPS SHOWN (2 SCREWS) **7**



7 FIT COVER TO CLOSER FOLLOWING STEPS SHOWN (2 SCREWS) **7**