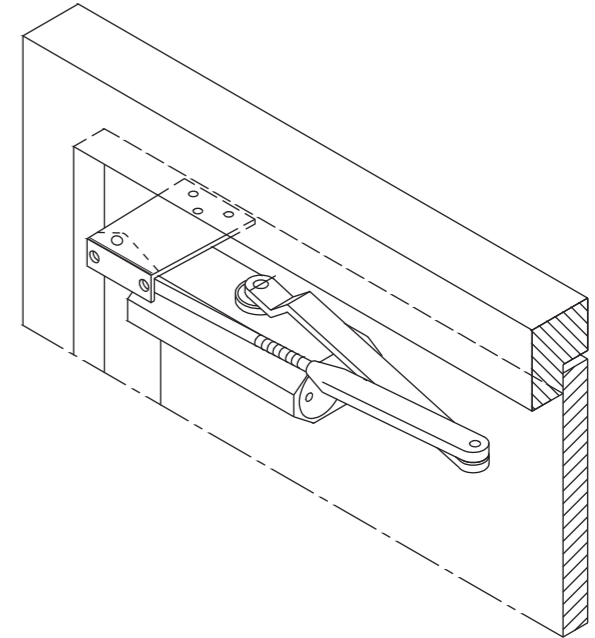


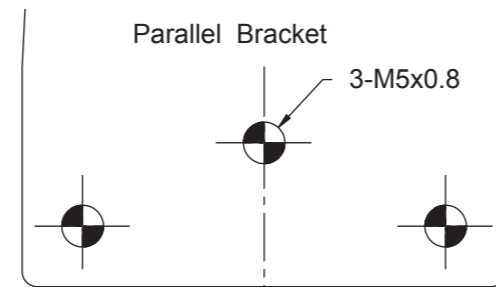
Size:393x211mm

PARALLEL ARM INSTALLATION FOR ANTI CLOCKWISE OPENING DOOR FOR CLOCKWISE OPENING DOOR SEE THE BACK PAGE

This template covers regular parallel arm installations to 180° openings.



This face to
underside of frame
head



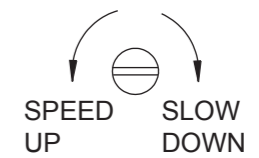
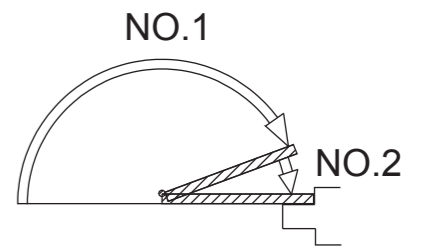
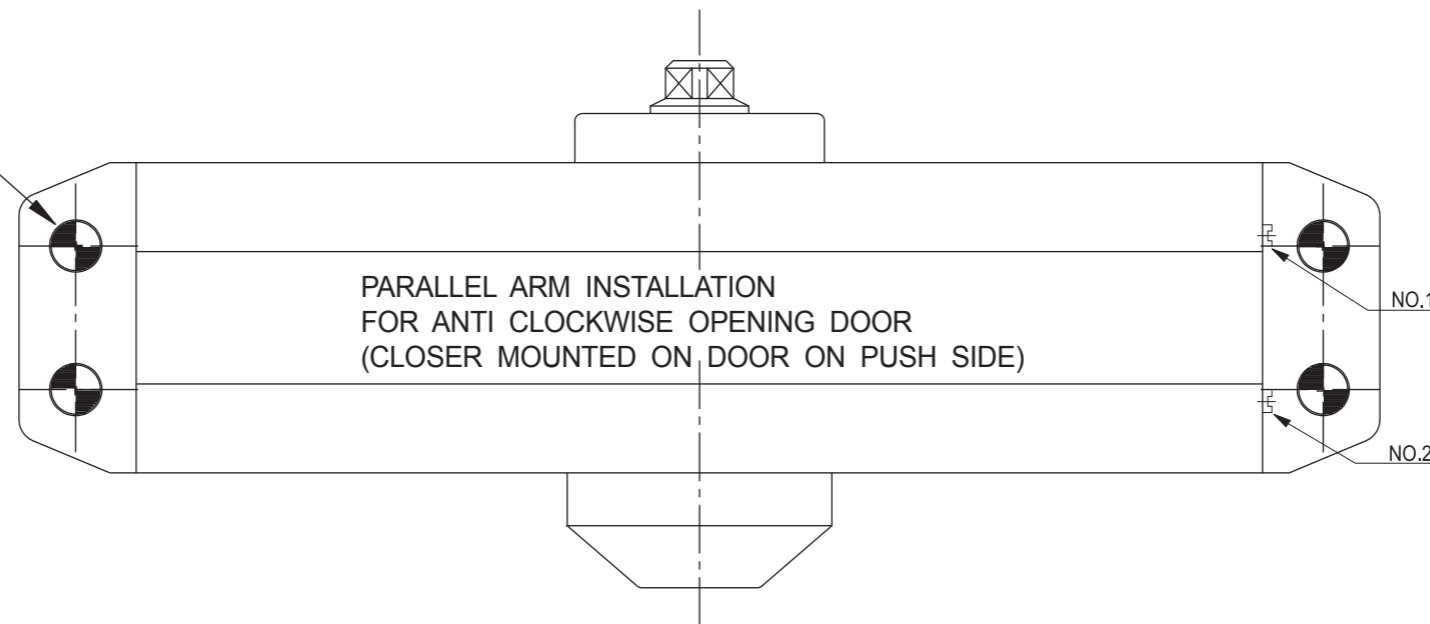
Model NO.	Approximate Door Size (Width)		Max. Door Weigh
	Interior	Exterior	
3	950 mm	830 mm	60 KG

FOLD HERE

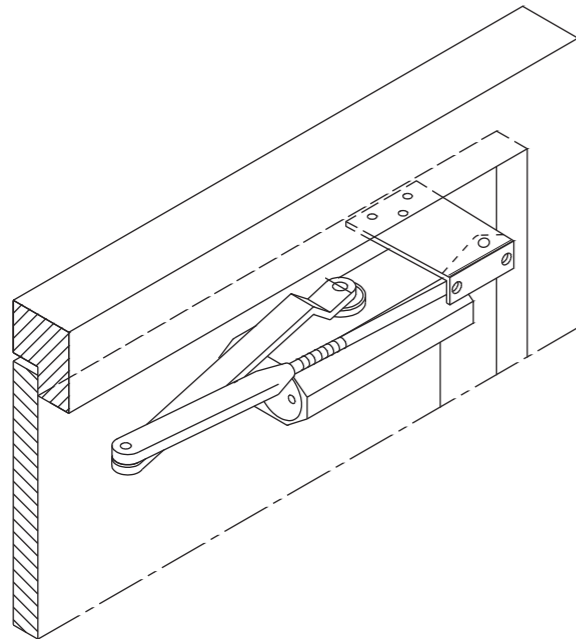
Set to underside of frame head

Set this end to
the left of door

4-M5xP0.8



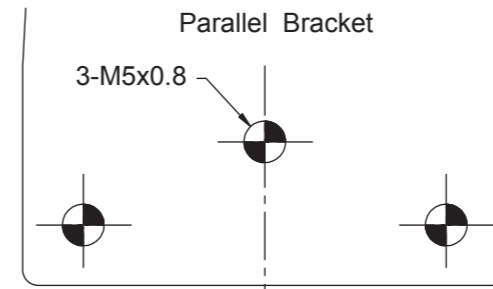
SPEED ADJUSTING VALVE



PARALLEL ARM INSTALLATION FOR ANTI CLOCKWISE OPENING DOOR FOR CLOCKWISE OPENING DOOR SEE THE BACK PAGE

This template covers regular parallel arm installations to 180° openings.

Model NO.	Approximate Door Size (Width)		Max. Door Weigh
	Interior	Exterior	
3	950 mm	830 mm	60 KG

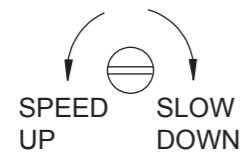
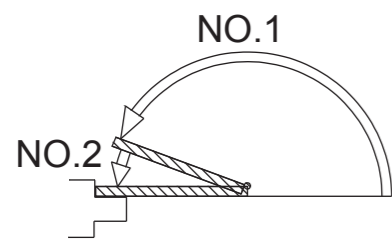


This face to underside of frame head

FOLD HERE

Set to underside of frame head

Set this end to the left of door



SPEED ADJUSTING VALVE

