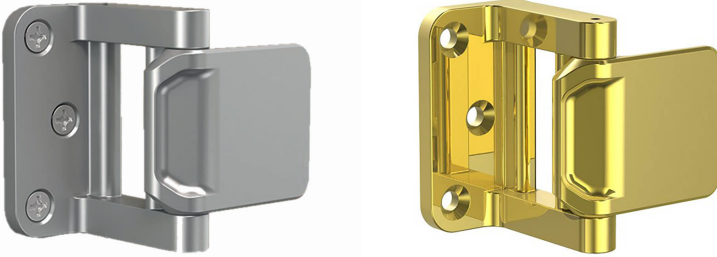


Pemko PDL.26D.15 Satin Chrome & PDL.US3 Polished Brass | Privacy Door Latch



Increase Privacy, Reduce Door and Frame Damage

The Pemko Privacy Door Latch (PDL) is recommended for environments with corridor to interior openings such as hotels and dormitories. This durable accessory allows the door to be opened for identification while providing privacy for the guest or resident. The design of the PDL does not allow the door to be held open, avoiding door and frame damage caused by the door slamming against a traditional flip latch or chain. The PDL's silicone pads provide additional protection for the door.

Allows for positive visitor identification - the PDL cannot be used to hold the operation.

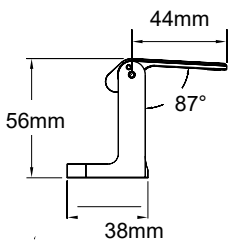
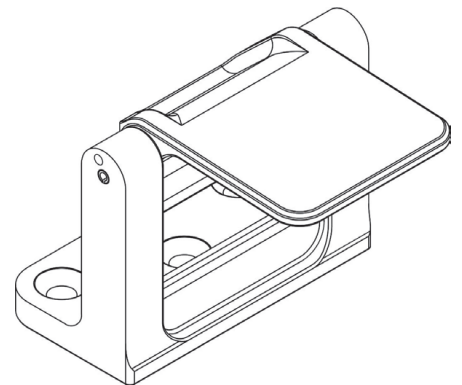
Applications

- Hospitality/Hotel Bedrooms
- University Accommodation
- Military Barracks
- Apartments
- NHS/Private Sector Hospitals
- Private Residences

Door Closed



Door Ajar



Technical Specification

- Material: Z5 Zamak
- Height: 55.6 mm
- Width (Base): 38.1 mm
- Width (Open): 69.8 mm
- Weight: 0.75 lbs./unit
- Opening Angle: 87°
- Fasteners: Supplied with 3 off #12 x 1.3/4" (PFHS) Phillips Flat Head Screws

Alternative Finishes

- US4 Satin Brass
- US10B Oil Rubbed Bronze
- US26 Polished Chrome

