

**#1** door hardware choice

**Briton**

compatible with all

**376 Series**

**560 Series**

**570 Series**

Panic & Emergency  
Exit Hardware



## Briton Outside Access



When used as part of the panic or emergency exit hardware solution, the Briton 1413.LE and 1413.KE units will provide a strong and durable means of access, lockable from outside.



Briton 1413.LE



Briton 1413.KE

## Applications

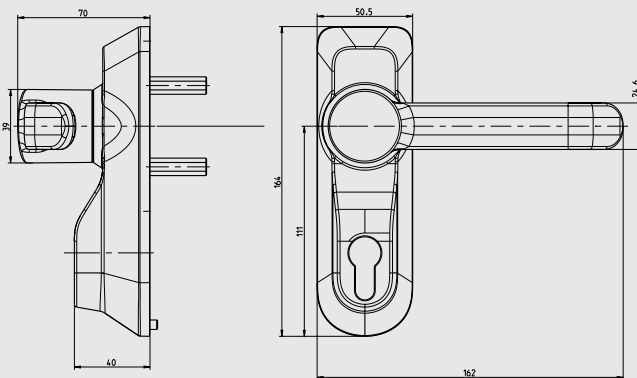
- For all high traffic applications - tested up to 200,000 cycles
- Suitable for Briton 376 Series panic and emergency exit hardware, Briton 560 Push Bar and Briton 570 Touch Bar panic exit hardware
- Suitable for single or double doors 40 - 100mm thick
- One model suitable for left and right hand doors

## Features and Benefits

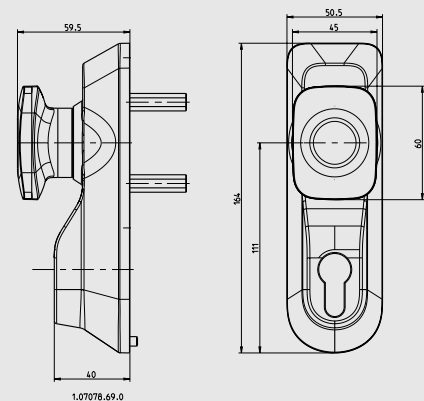
- Anti vandal design includes a clutch mechanism which allows the lever to rotate when the unit is locked
- Long lever provides good grip and easy action
- Easy retrofit on existing Briton 1413E models
- Common footprint allows units to be interchanged
- Supplied with 40mm euro profile standard differ cylinder (also available keyed alike or masterkeyed)
- Cylinders can be incorporated into existing masterkey systems
- Lever version is site reversible
- Lever version is BS 8300 compliant
- Optional key retention
- Silver finish as standard
- Also available in plated finishes, PB, SS, PS

Code	Description
1413.KE	Outside access device with knob operation - silver finish
1413.N.KE	Outside access device with knob operation - no cylinder - silver finish
1413.LE	Outside access device with lever operation - silver finish
1413.N.LE	Outside access device with lever operation - no cylinder - silver finish

**Briton 1413.LE**



**Briton 1413.KE**



For full details please call our sales team on:

**01380 720062**

[www.briton-hardware.co.uk](http://www.briton-hardware.co.uk)

■ **Briton**



**Briton Hardware Online**

a trading division of Relcross Ltd authorized distributors  
of the Briton brand