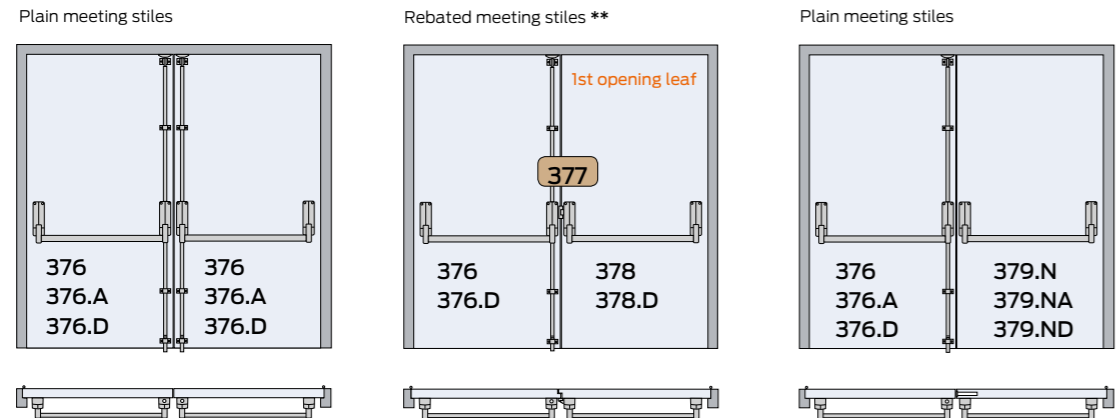
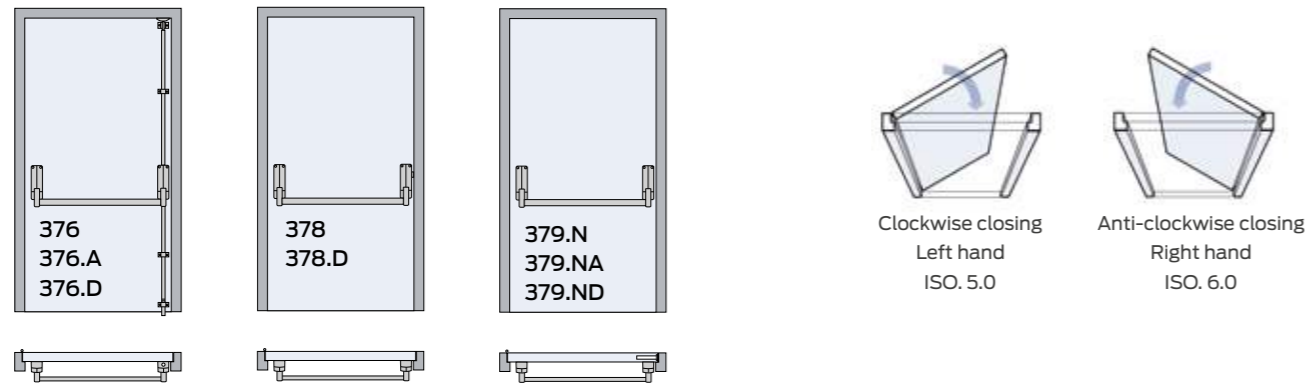


Briton 376 Series - EN 1125 panic applications

Briton 376 series panic and emergency exit hardware is suitable for application to single doors, and in combinations on non-rebated and rebated double doors.

EN 1125 - panic applications

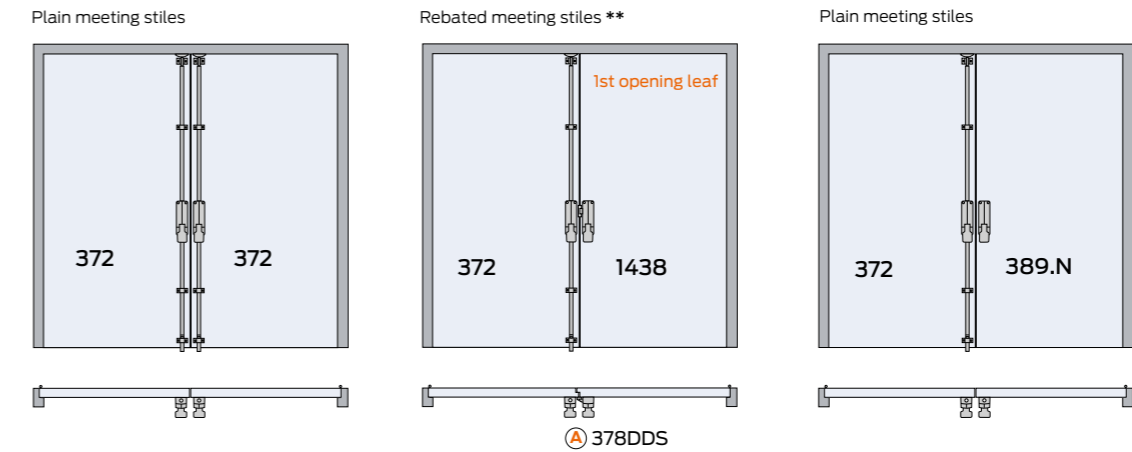
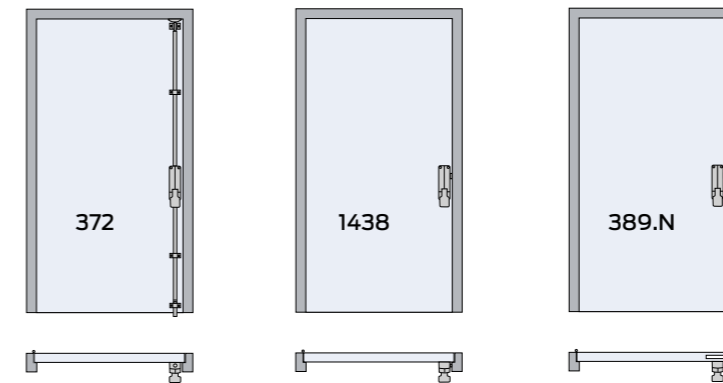
Vertical devices with top and bottom shoot bolts



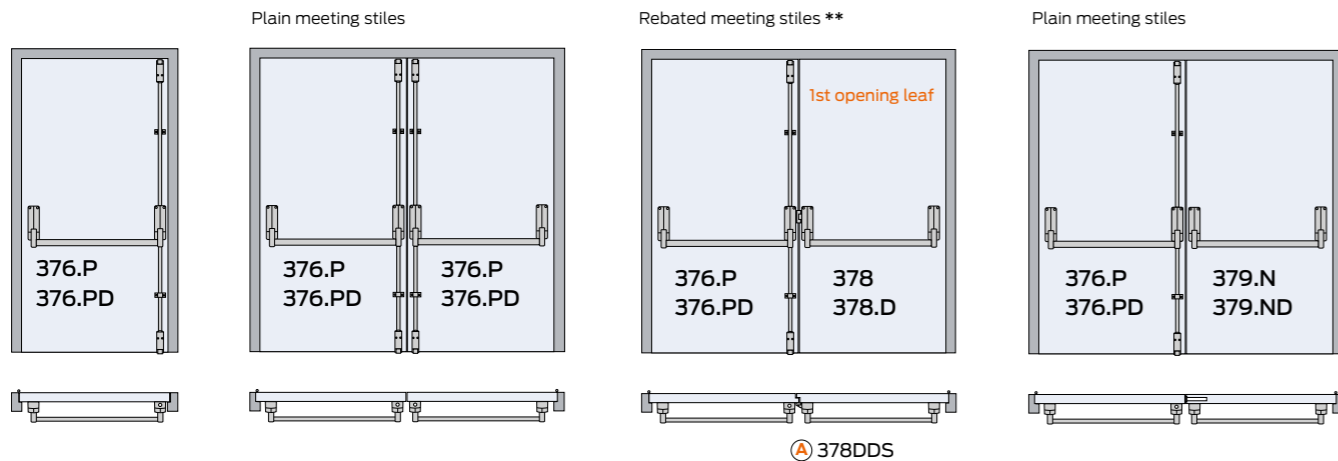
Briton 376 Series - EN 179 emergency applications

EN 179 - emergency applications

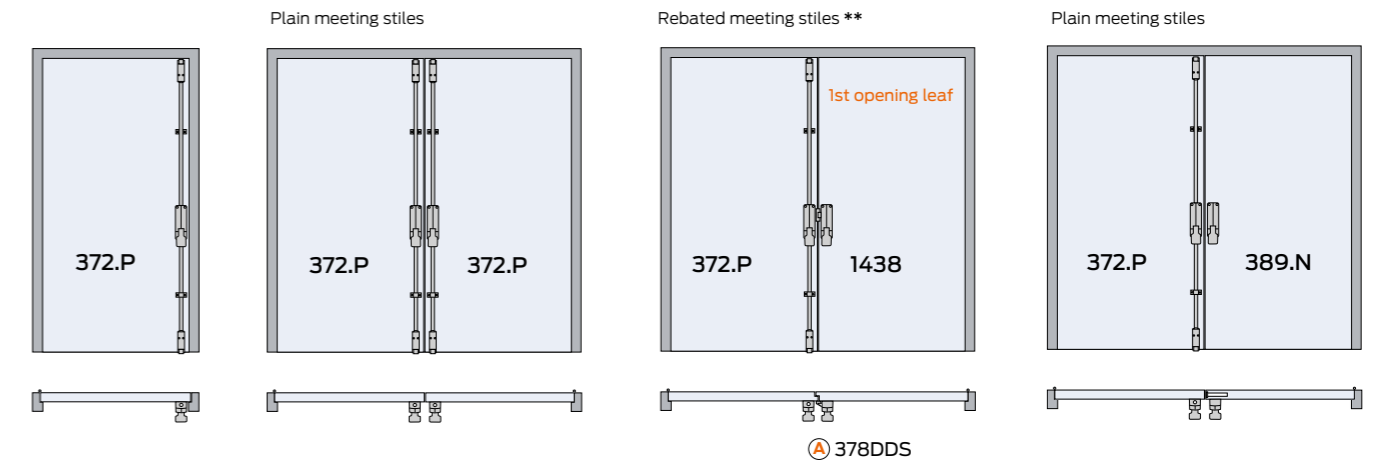
Vertical devices with top and bottom shoot bolts



Vertical devices with top and bottom pullman latches



Vertical devices with top and bottom pullman latches



Ⓐ Accessories required

** Consideration should be given to the use of door co-ordinating devices for rebated pairs of doors. A door co-ordinating device must be used for fire/smoke applications.

Ⓐ Accessories required

** Consideration should be given to the use of door co-ordinating devices for rebated pairs of doors. A door co-ordinating device must be used for fire/smoke applications.