

# INSTALLATION INSTRUCTIONS 1413 & 1414 LOCKING ATTACHMENT.

Ref. No. 1413/089  
Issue 01

This locking attachment can be used with either 372, 373, 374, 376, 377, 380, 381, 476, 477, 576 and 577 panic bolts on emergency exit doors. It allows the key holder free entry from the outside, but whether locked or unlocked, does not prevent immediate exit in an emergency.

## IMPORTANT:

This locking attachment must be installed by a competent fixer who should pass these instructions onto the site or maintenance manager once the attachment has been satisfactorily fixed. No responsibility can be accepted by the manufacturers if these installation instructions are disregarded.

Fixed externally to exit doors.

Fixed to last closing leaf on pairs of doors with rebated meeting stiles.

**Note:** With the standard 76mm long spindle supplied, the locking attachment is only suitable for doors with thicknesses as shown in table below.

Panic Hardware used	372, 373, 374, 376, 377, 380, 381, 476, 477, 576 and 577 Panic Bolts.	51mm to 57mm
Suitable Door Thickness	48mm to 54mm	
		Panic Latches 375, 378, 1438

For door thicknesses outside this range, the spindle must be either cut down to suit, or a longer one substituted.

TOO SHORT A SPINDLE WILL RESULT IN THE SPINDLE FLOATING OUT OF ENGAGEMENT WITH THE KNOB.

## APPLICATION

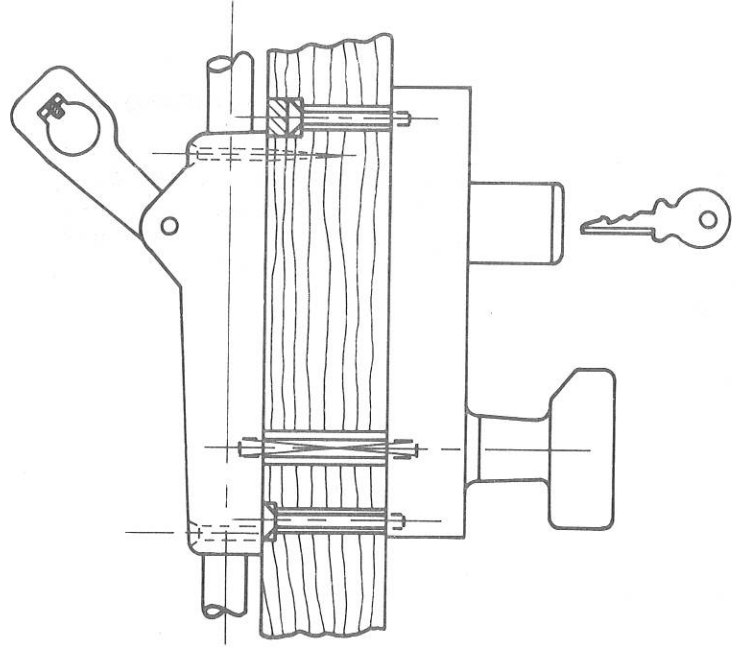


Diagram 1

1413 with 373 Panic Bolt

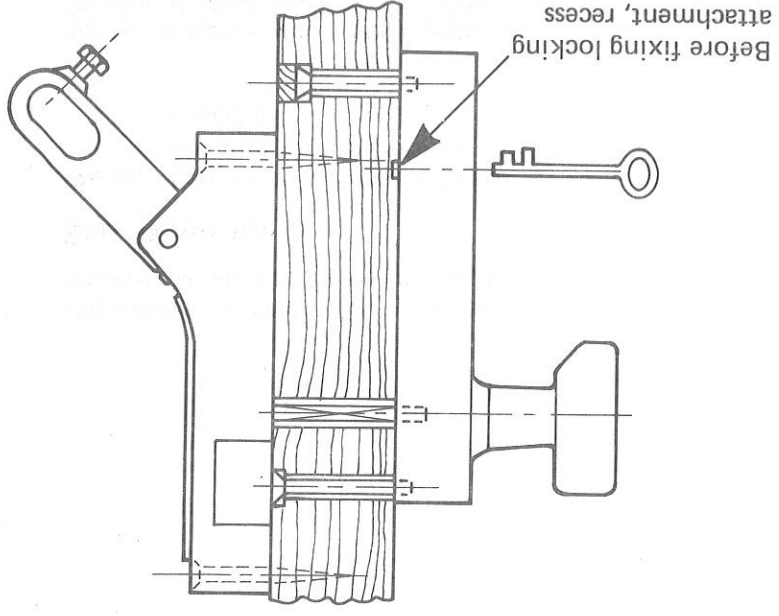


Diagram 2

1414 with 378 Panic Latch

Before fixing locking attachment, recess door face to provide clearance for projecting key shank.