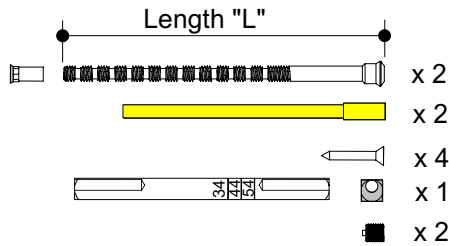
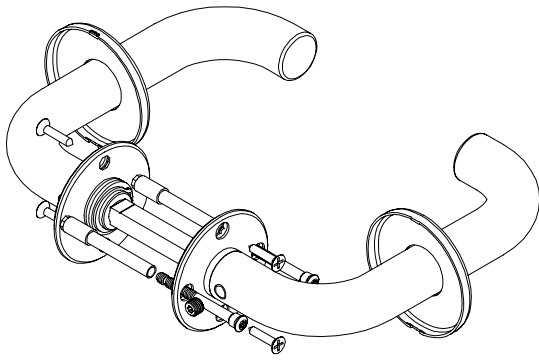


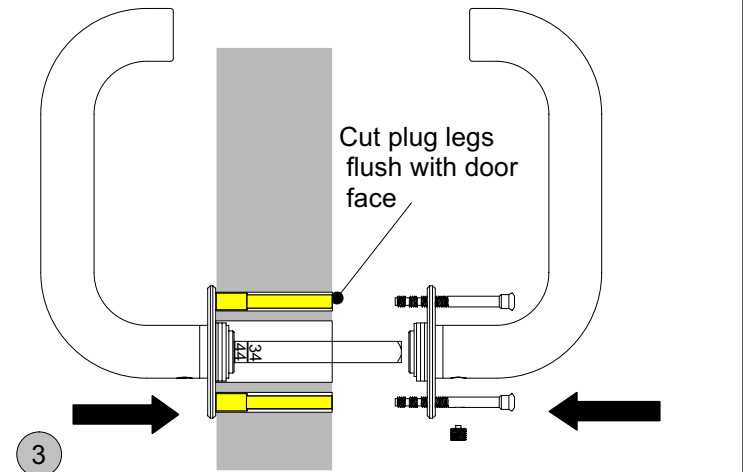
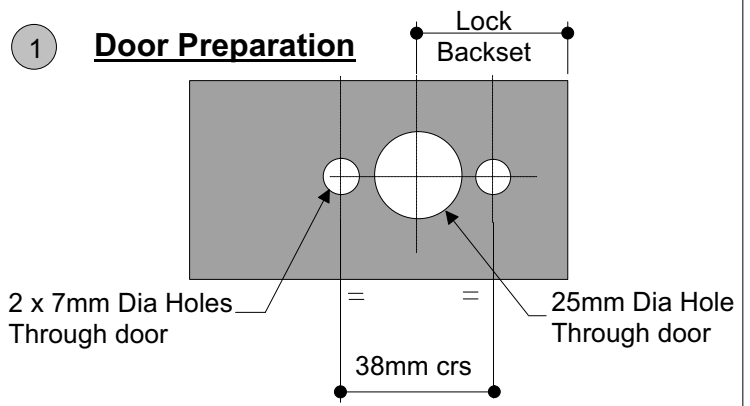
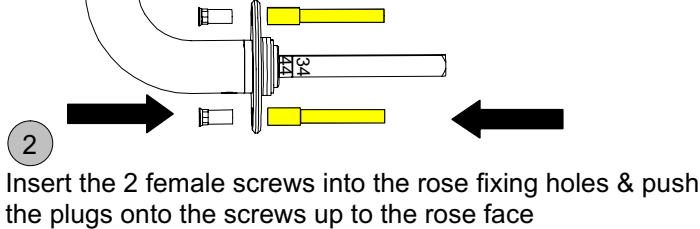
Briton Door Furniture Lever On Covered Rose

FITTING INSTRUCTION

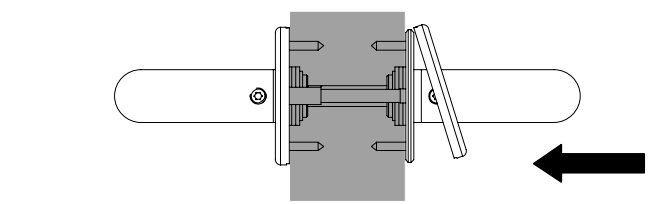
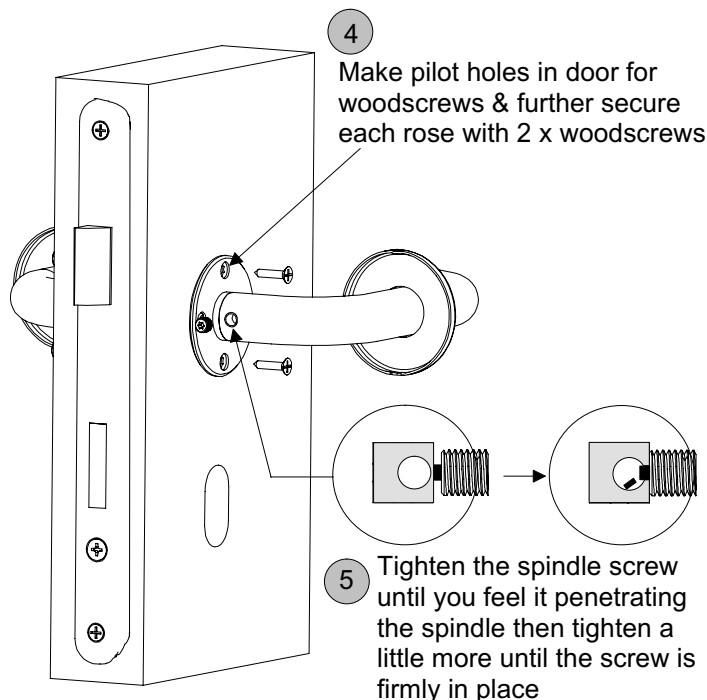


A No 15 Torx head screwdriver is required

Levers supplied with spindle fixed to one half to suit 44mm door thickness
 For other door thicknesses slacken centre screw & move spindle so that relevant door line coincides with end face of lever shank & re-tighten screw .(See 5 below)



Insert the handle/spindle/plugs into the door/lock -make sure the rose is in contact with the door face
 cut plugs flush with door face
 offer other handle up to door face - aligning fixing holes
 cut off screws at marked notch
(cut screw length "L" to door thickness plus 1mm)
 push screws into plugs until resistance is met from the thread lock
 Tighten the screws & check the handles operate freely



Push the rose cover over the handle
 Attach the rose cover to the inner rose on top (with cut out facing downwards)
 Hold the cover in position at the top
 Click the cover into position with firm pressure or a sharp tap at the bottom
 Repeat for other rose

MAINTENANCE

Quarterly check that levers /roses are securely fixed to the door & that all fixing screws are tight Simply wipe regularly with a damp cloth & wipe dry Do not use abrasives or metal polish cleaners
Please pass these instructions on to the end user