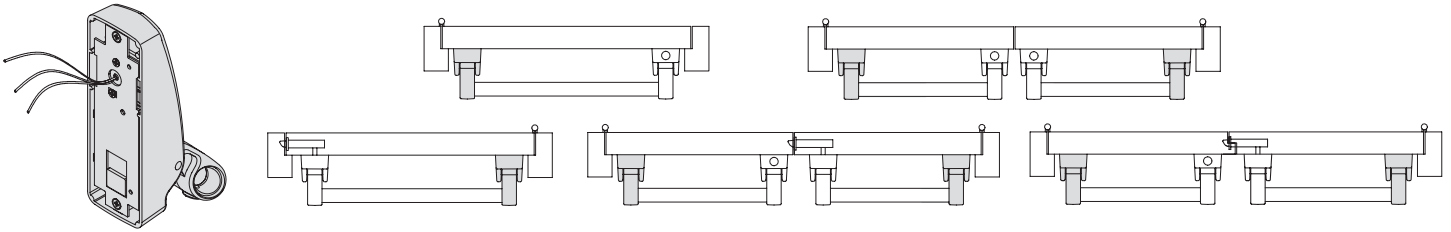


INSTALLATION INSTRUCTIONS

0380/428/00
ISSUE 01

ALARM SWITCH END BOX FOR PUSH BAR PANIC BOLT DEVICE & MORTICE PANIC NIGHTLATCH DEVICE



THIS DEVICE INCORPORATES A MICROSWITCH WHICH IS ACTIVATED BY MOVEMENT OF THE PUSH BAR WHEN ELECTRONIC DOOR MONITORING OR CONTROL IS REQUIRED. WIRING FROM A CONTROL SYSTEM SHOULD BE FED FROM THE DOOR JAMB TO DOOR FRAME BY A SUITABLE CONDUCTOR HINGE OR DOOR LOOP FOR CONCEALMENT AND SECURITY.

THESE INSTRUCTIONS ARE SUPPLEMENTARY, AND ARE TO BE READ IN CONJUNCTION WITH THOSE PROVIDED WITH PUSH BAR DEVICES.

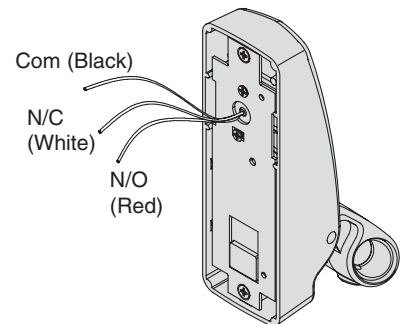
ELECTRICAL DATA

This device is suitable up to 30V D.C max.
Check that this is consistent with the supply being used.

Switch rating: 5 amp resistive load
3 amp inductive load

The wiring up must be carried out before fitting the Push Bar.
Therefore suitable arrangements should be made between Installer and Electrician.

NOTE: Carry out the installation in accordance with the standards in force.



INSTALLATION

- 1) Install relevant Push Bar Device on leading stile of door as per separate instructions provided. Establish height of Alarm Switch End Box on hanging stile of door ensuring it is level with Operating Box on leading stile.
Mark datum line 47mm below top edge of Alarm Switch End Box.

See Diagram 1

- 2) Mark 37mm backset line along datum line from frame stop. At this point counterbore door $\text{Ø}40\text{mm}$ x 20mm deep. Then drill $\text{Ø}8\text{mm}$ hole through door edge into the counterbore as required to suit the chosen Conductor Device.

See Diagram 2

NOTE: For Fire Door applications, removal of door material should be kept to a minimum and the wiring cavity must be lined with a suitable intumescent compound.

- 3) Feed wires from Conductor Device through the door and connect the Switch using the connector block supplied.

See Diagram 2

- 4) Fix Alarm Switch End Box to door, ensuring wires and connector block are contained within the counterbore.
Complete installation of Push Bar Device as per separate instructions provided.

- 5) Test System operation which should be activated when the Push Bar is depressed approximately 13mm.

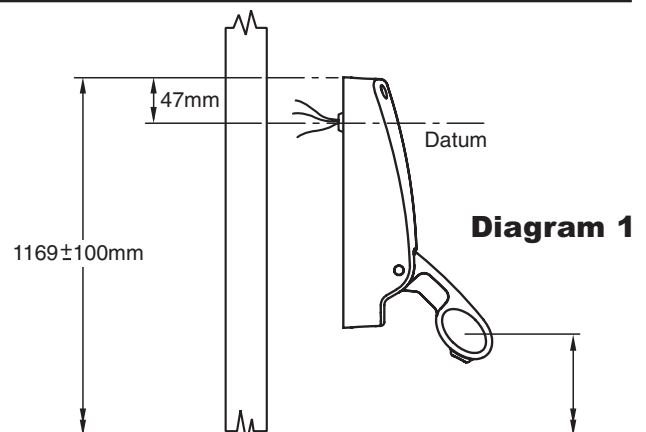


Diagram 1

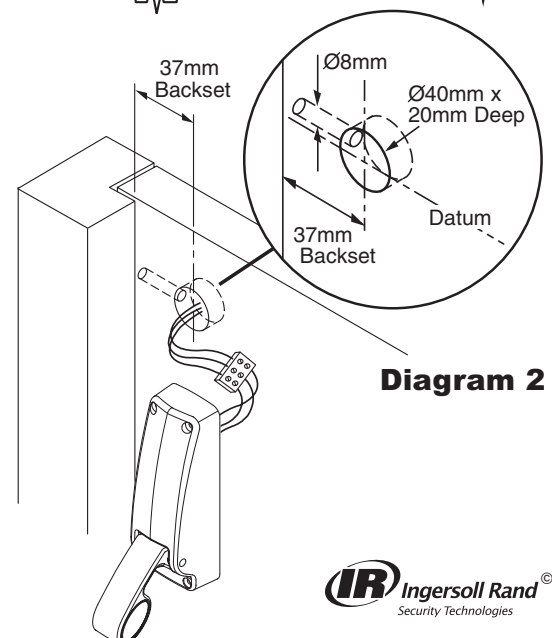


Diagram 2