

# SIZE 3 - 4 ADJUSTABLE BACKCHECK CLOSER WITH ELECTROMAGNETIC HOLD OPEN ARM



**WARNING**  
DOOR CLOSER POWER #1 & 2 AND THOSE SUPPLIED WITH MECHANICAL HOLD OPEN DEVICES MUST NOT BE INSTALLED ON FIRE / SMOKE DOORS.

2130/107/00  
ISSUE 02

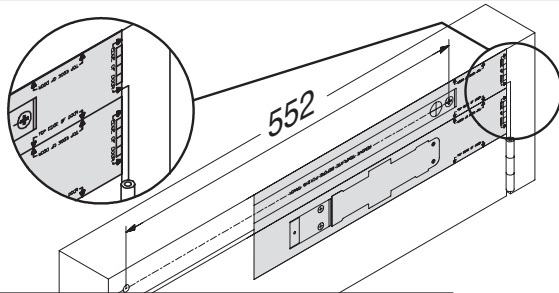
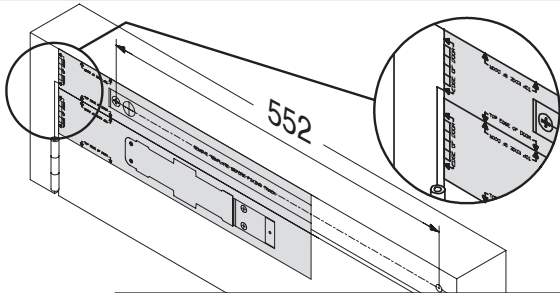
**IMPORTANT** - A DOOR STOP SHOULD BE FITTED TO PREVENT DOOR FROM OPENING BEYOND LIMIT OF HOLD OPEN ANGLE

## APPLICATION A

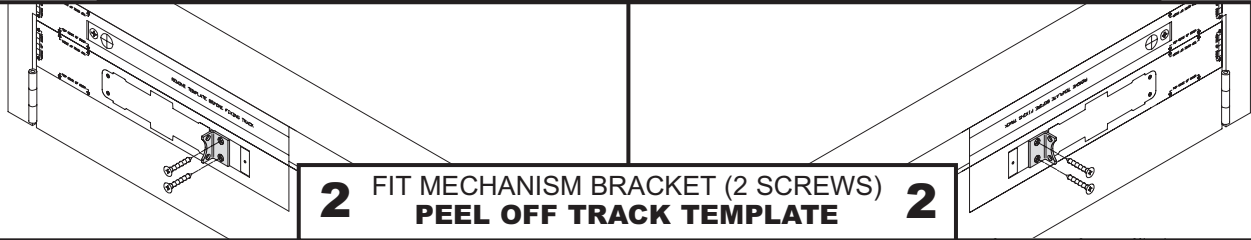
ANGLE OF OPENING 110° SUBJECT TO HINGE & SURROUNDING STRUCTURE  
HOLD OPEN ANGLE IS ADJUSTABLE BETWEEN 85° - 110° APPROX

### R.H. DOOR

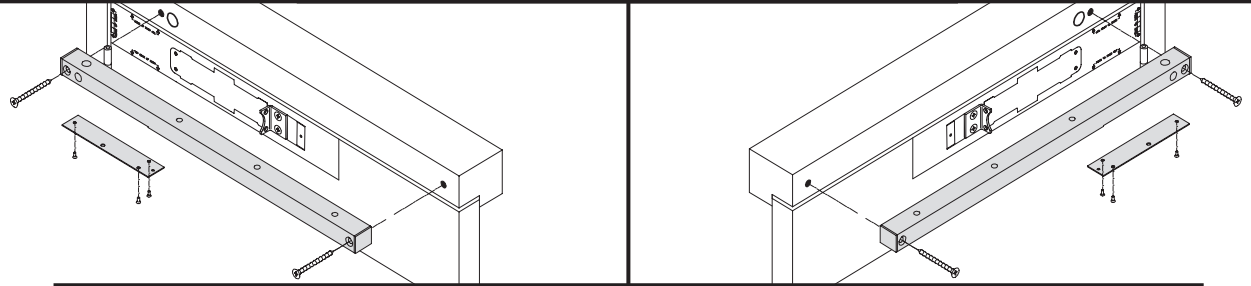
### L.H. DOOR



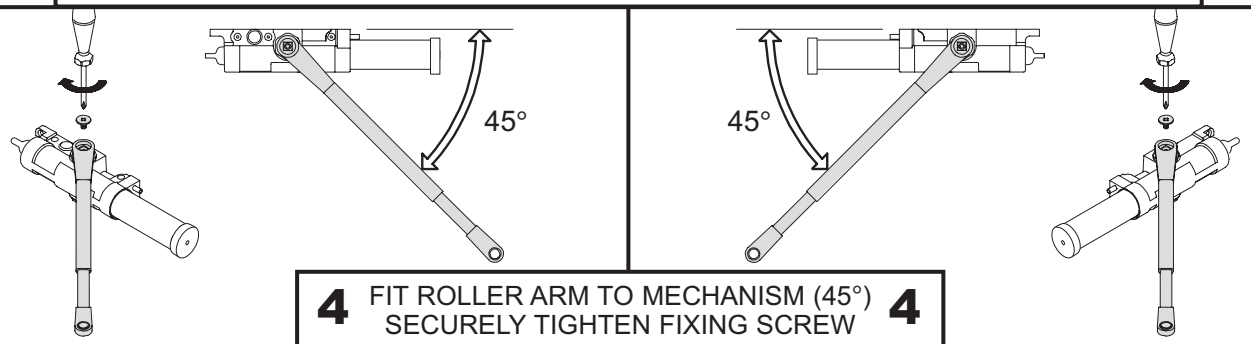
**1** PEEL TEMPLATES OFF BACKING PAPER POSITION ON DOOR/FRAME  
PILOT DRILL 6 HOLES & HOLE FOR CONCEALED WIRING IF REQUIRED **1**



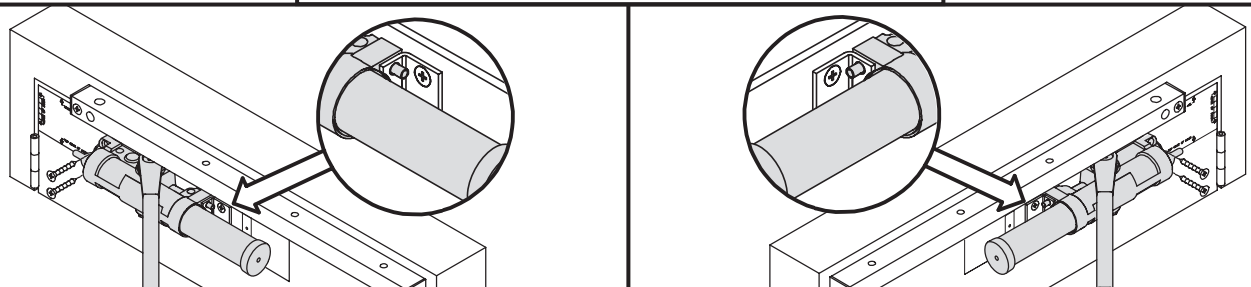
**2** FIT MECHANISM BRACKET (2 SCREWS)  
PEEL OFF TRACK TEMPLATE **2**



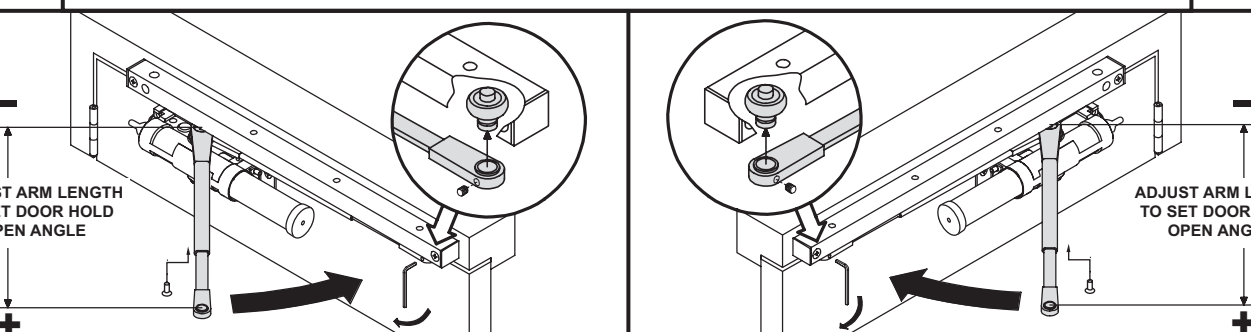
**3** REMOVE REAR BLANKING PLUG - FIT TRACK (2 SCREWS) & COUPLE WIRING **3**



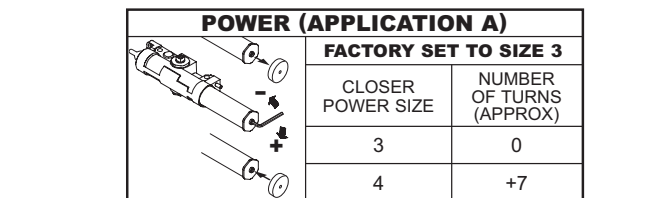
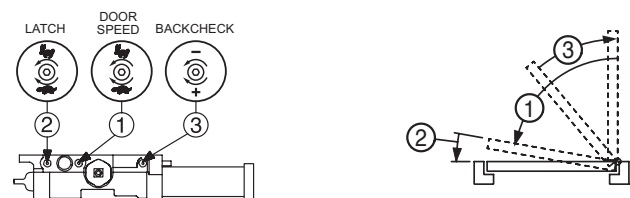
**4** FIT ROLLER ARM TO MECHANISM (45°)  
SECURELY TIGHTEN FIXING SCREW **4**



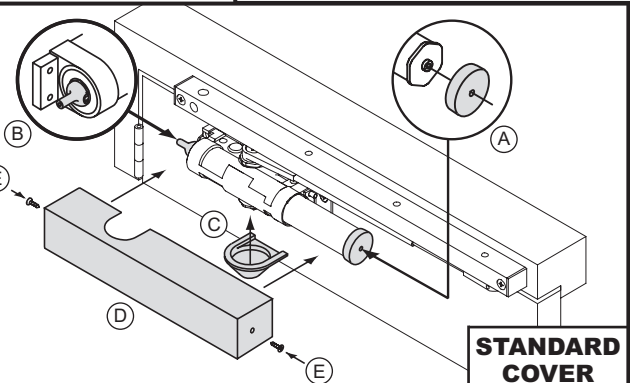
**5** LOCATE MECHANISM ASSEMBLY ON BRACKET AND SECURE (2 SCREWS)  
PEEL OFF MECHANISM TEMPLATE **5**



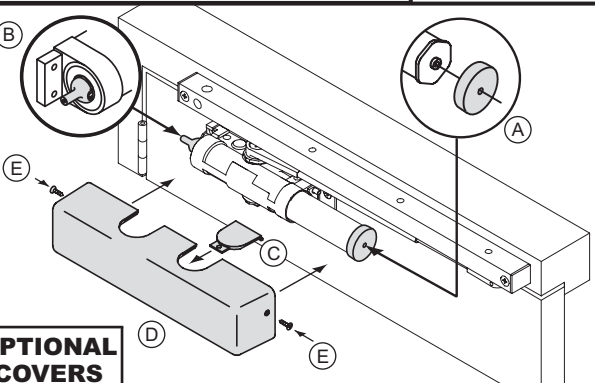
**6** PUSH ARM TOWARDS TRACK & ENGAGE ON ROLLER PIN  
SECURELY TIGHTEN FIXING SCREW. ADJUST HOLD OPEN ANGLE **6**



**7** IF NECESSARY ADJUST POWER AND DOOR SPEEDS **7**



STANDARD COVER



OPTIONAL COVERS

**8** FIT COVER TO CLOSER FOLLOWING STEPS SHOWN (2 SCREWS) **8**

CLOSER POWER

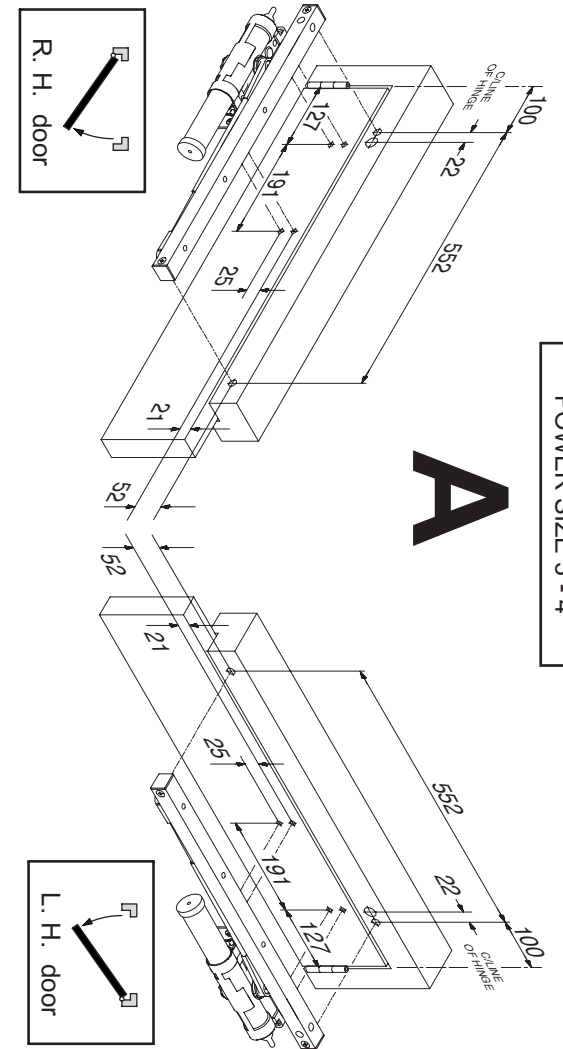
DOOR SIZE

**#3**  
60kg  
950 MAX

**#4**  
80kg  
1100 MAX

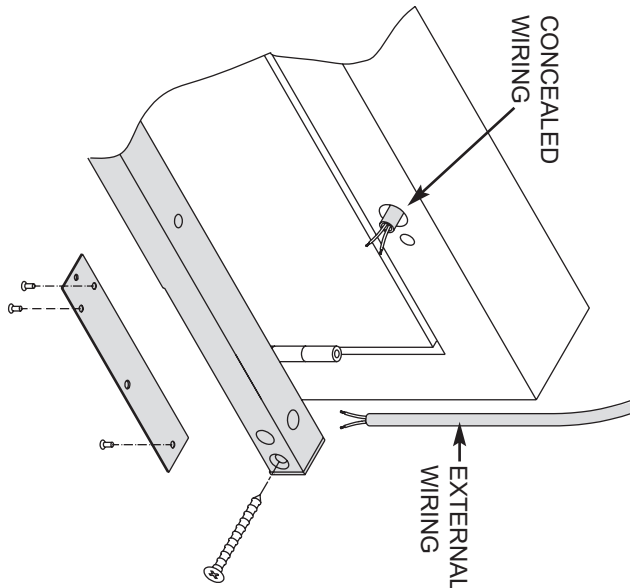
**FOR APPLICATION B - INSTALLATION PROCEDURE SEE OVERLEAF**  
**MAINTENANCE (Quarterly)** Check that the door closer closes the door correctly and fixing screws are tight. Periodically apply light oil to roller pin and door hinges.

NOTE - all dimensions are in millimetres



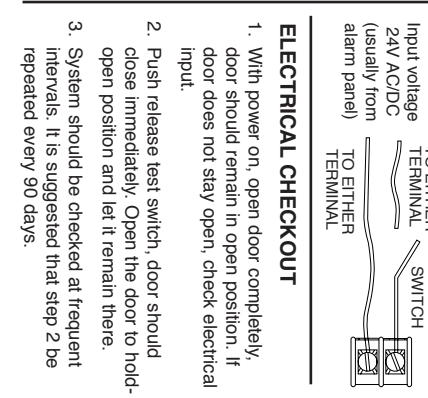
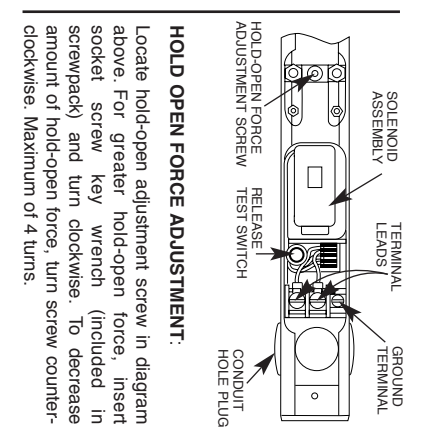
APPLICATION A - DOOR FIXING - PULL SIDE

POWER SIZE 3 - 4



**WARNING** ALL ELECTRICITY MUST BE OFF WHILE MOUNTING UNIT OR ELECTRIC SHOCK MAY OCCUR

1. Voltage shown on track cover plate must match voltage supplied to door frame.
2. If concealed wiring is desired, prepare frame as shown in instructions.
3. Do not allow door to slam into frame. A normal closing time from a 90° open position is 5 to 7 seconds, evenly divided between door speed and latch speed.
4. Do not use abrupt backcheck, do not expect door closer to act as a door stop.



**WIRING DIAGRAM - POLARITY NOT IMPORTANT**

**IMPORTANT:** This closer should be installed by a competent fitter who must pass these instructions onto the site or maintenance manager once the closer unit has been satisfactorily fixed, wired and tested. No responsibility can be accepted by the manufacturers if these instructions are disregarded.

### ELECTRICAL CHECKOUT

1. With power on, open door completely, door should remain in open position. If door does not stay open, check electrical input.
2. Push release test switch, door should close immediately. Open the door to hold-open position and let it remain there.
3. System should be checked at frequent intervals. It is suggested that step 2 be repeated every 90 days.

# SIZE 3 - 4 ADJUSTABLE BACKCHECK CLOSER WITH ELECTROMAGNETIC HOLD OPEN ARM



**WARNING**  
DOOR CLOSER POWER #1 & 2 AND THOSE SUPPLIED WITH MECHANICAL HOLD OPEN DEVICES MUST NOT BE INSTALLED ON FIRE / SMOKE DOORS.

2130/107/00  
ISSUE 02

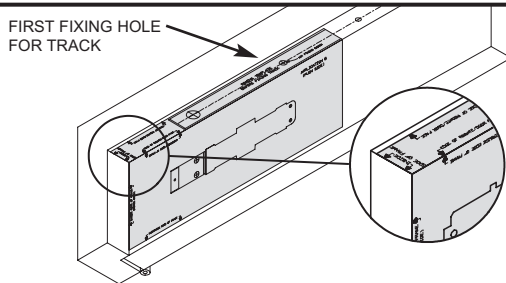
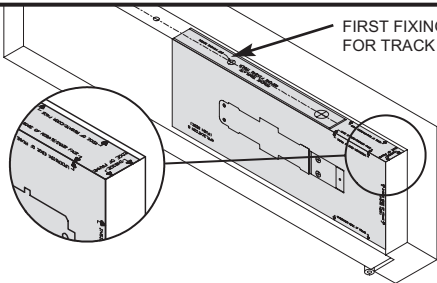
**IMPORTANT** - A DOOR STOP SHOULD BE FITTED TO PREVENT DOOR FROM OPENING BEYOND LIMIT OF HOLD OPEN ANGLE

## APPLICATION B

ANGLE OF OPENING 100° SUBJECT TO HINGE & SURROUNDING STRUCTURE  
HOLD OPEN ANGLE IS ADJUSTABLE BETWEEN 75° - 100° APPROX

### R.H. DOOR

### L.H. DOOR



**1** PEEL TEMPLATES OFF BACKING PAPER POSITION ON DOOR/FRAME  
PILOT DRILL 7 HOLES & HOLE FOR CONCEALED WIRING IF REQUIRED **1**

**2** FIT MECHANISM BRACKET (2 SCREWS)  
**PEEL OFF TRACK TEMPLATE** **2**

**3** FIT BLANKING PLUGS - FIT TRACK (3 SCREWS) & COUPLE WIRING **3**

**4** FIT ROLLER ARM TO MECHANISM (45°)  
SECURELY TIGHTEN FIXING SCREW **4**

**5** FULLY CLOSE DOOR SPEED & LATCH REGULATORS - PULL ARM FORWARD - LOCATE MECHANISM ASSEMBLY ON BRACKET & SECURE (2 SCREWS). **PEEL OFF MECHANISM TEMPLATE** **5**

**6** PUSH ARM TOWARDS TRACK & ENGAGE ON ROLLER PIN  
SECURELY TIGHTEN FIXING SCREW. ADJUST HOLD OPEN ANGLE **6**

**7** IF NECESSARY ADJUST POWER AND DOOR SPEEDS **7**

**8** FIT COVER TO CLOSER FOLLOWING STEPS SHOWN (2 SCREWS) **8**

CLOSER POWER

DOOR SIZE

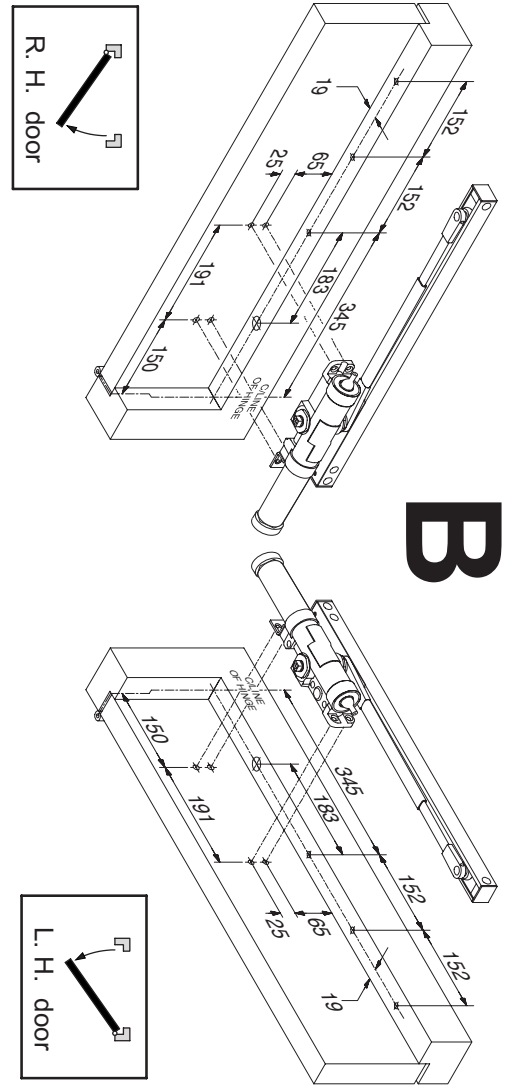
**#3**  
60kg  
950 MAX

**#4**  
80kg  
1100 MAX

**FOR APPLICATION A INSTALLATION PROCEDURE SEE OVERLEAF**

**MAINTENANCE (Quarterly)**  
Check that the door closer closes the door correctly and fixing screws are tight. Periodically apply light oil to roller pin and door hinges.

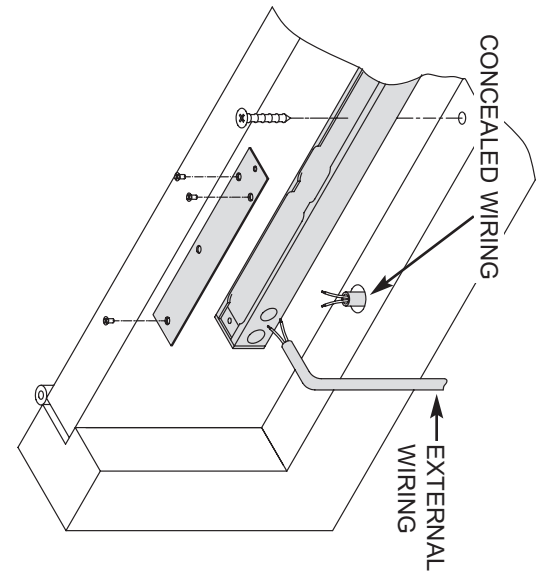
**NOTE** - all dimensions are in millimetres



**APPLICATION B - DOOR FIXING - PUSH SIDE**

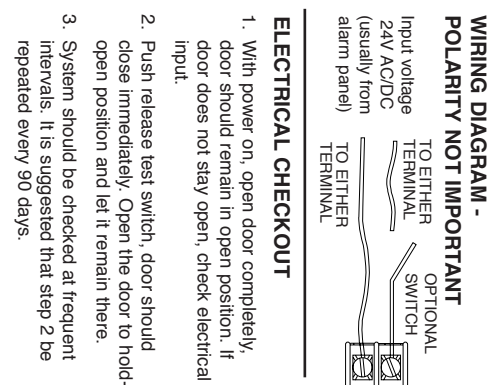
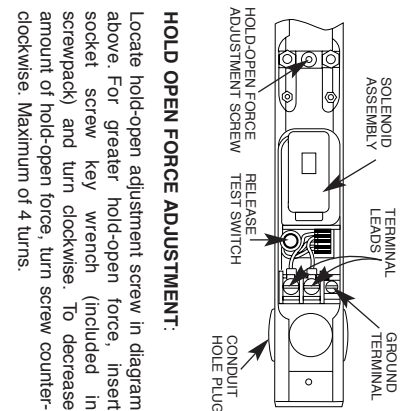
POWER SIZE 3 - 4

**B**



**WARNING** ALL ELECTRICITY MUST BE OFF WHILE MOUNTING UNIT OR ELECTRIC SHOCK MAY OCCUR

1. Voltage shown on track cover plate must match voltage supplied to door frame.
2. If concealed wiring is desired, prepare frame as shown in instructions.
3. Do not allow door to slam into frame. A normal closing time from a 90° open position is 5 to 7 seconds, evenly divided between door speed and latch speed.
4. Do not use abrupt backcheck, do not expect door closer to act as a door stop.



**POWER (APPLICATION B)**

FACTORY SET TO SIZE 3	
CLOSER POWER SIZE	NUMBER OF TURNS (APPROX)
3	0
4	+7

