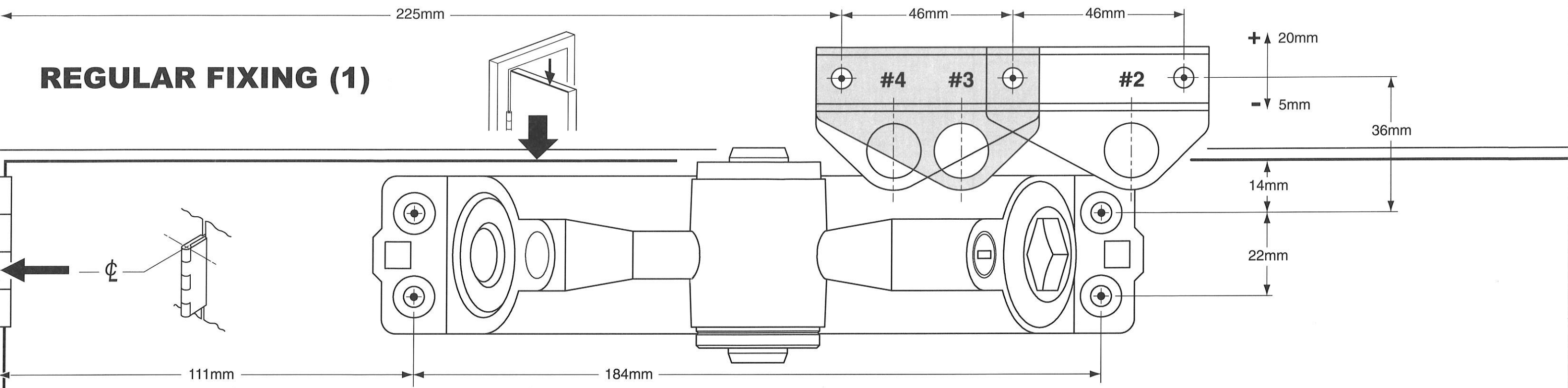


REGULAR FIXING (1)



1. Prepare fixing holes in door and head.
2. Assemble arm to body at 90° to back face. Secure with bolt provided.
3. Fit cover clips to body.

4. Fix body to door. Fix bracket to head. Insert secondary arm into arm tube. Insert pivot bush into arm.

5. Insert secondary arm into arm basket, secure with pin and domed 'starlock' washer. Pull main arm over until secondary arm is at 90° to head. Firmly tighten with screw + washer in arm.

6. Adjust controls as required.

Closing Speed
Latch
No Latch
Optional Feature
Backcheck

7. Fit cover.

REGULAR FIXING (1)

